



**Free Questions for HPE6-A72 by actualtestdumps**

**Shared by Cameron on 15-04-2024**

**For More Free Questions and Preparation Resources**

**Check the Links on Last Page**

## Question 1

---

**Question Type:** MultipleChoice

---

What are two methods for remotely managing an Aruba AOS-CX switch? (Choose two.)

### Options:

---

- A- SNMPv2c
- B- HTTPS
- C- USB-C console
- D- Telnet
- E- SSH

### Answer:

---

B, E

## Question 2

---

**Question Type:** MultipleChoice

---

You have completed a successful VSF stack between two switches.

Without manually assigning a backup switch, what is the expected output when issuing a show vsf command?

A. T1-6300-A# show vsf

<omitted>

Member	Mac Address	type	Status ID
1	88:3a:30:a3:e5:40	JL660A	Commander
2	88:3a:30:a6:d9:80	JL660A	Secondary

B. T1-6300-A# show vsf

<omitted>

Member	Mac Address	type	Status ID
1	88:3a:30:a3:e5:40	JL660A	Primary
2	88:3a:30:a6:d9:80	JL660A	Secondary

C. T1-6300-A# show vsf

<omitted>

Member	Mac Address	type	Status	ID
1	88:3a:30:a3:e5:40	JL660A	Master	
2	88:3a:30:a6:d9:80	JL660A	Member	

D. T1-6300-A# show vsf

<omitted>

Member	Mac Address	type	Status	ID
1	88:3a:30:a3:e5:40	JL660A	Master	
2	88:3a:30:a6:d9:80	JL660A	Standby	

### Options:

---

A- Option A

B- Option B

C- Option C

D- Option D

**Answer:**

D

## Question 3

**Question Type:** DragDrop

Match the terms to the correct layer of the OSI model.

Layer		Term
Transport Layer	<input type="text"/>	Frames
Network Layer	<input type="text"/>	Packets
Physical Layer	<input type="text"/>	RF Signals
Data Link Layer	<input type="text"/>	Segments

## Question 4

**Question Type:** Hotspot

Click on the colored box that corresponds with the line that best represents Unicast traffic flow.

## Answer Area

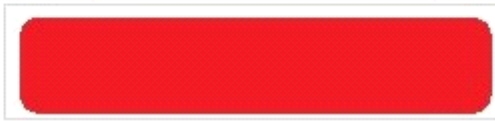
Answer:



### Question 5

Question Type: MultipleChoice

Which port or ports should be allowed through a firewall so that an AOS-CX switch can act as an SNMP Agent?



Options:

- A- UDP 1812 and UDP 1813
- B- UDP 161
- C- TCP 443
- D- UDP 162

Answer:

B

## Question 6

---

**Question Type:** MultipleChoice

---

Which two types of routes can be found in the IP routing table of an Aruba AOS-CX switch? (Choose two.)

### Options:

---

A- Local

B- EIGRP

C- BGP

D- ISIS

E- RIPng

### Answer:

---

A, C

## Question 7

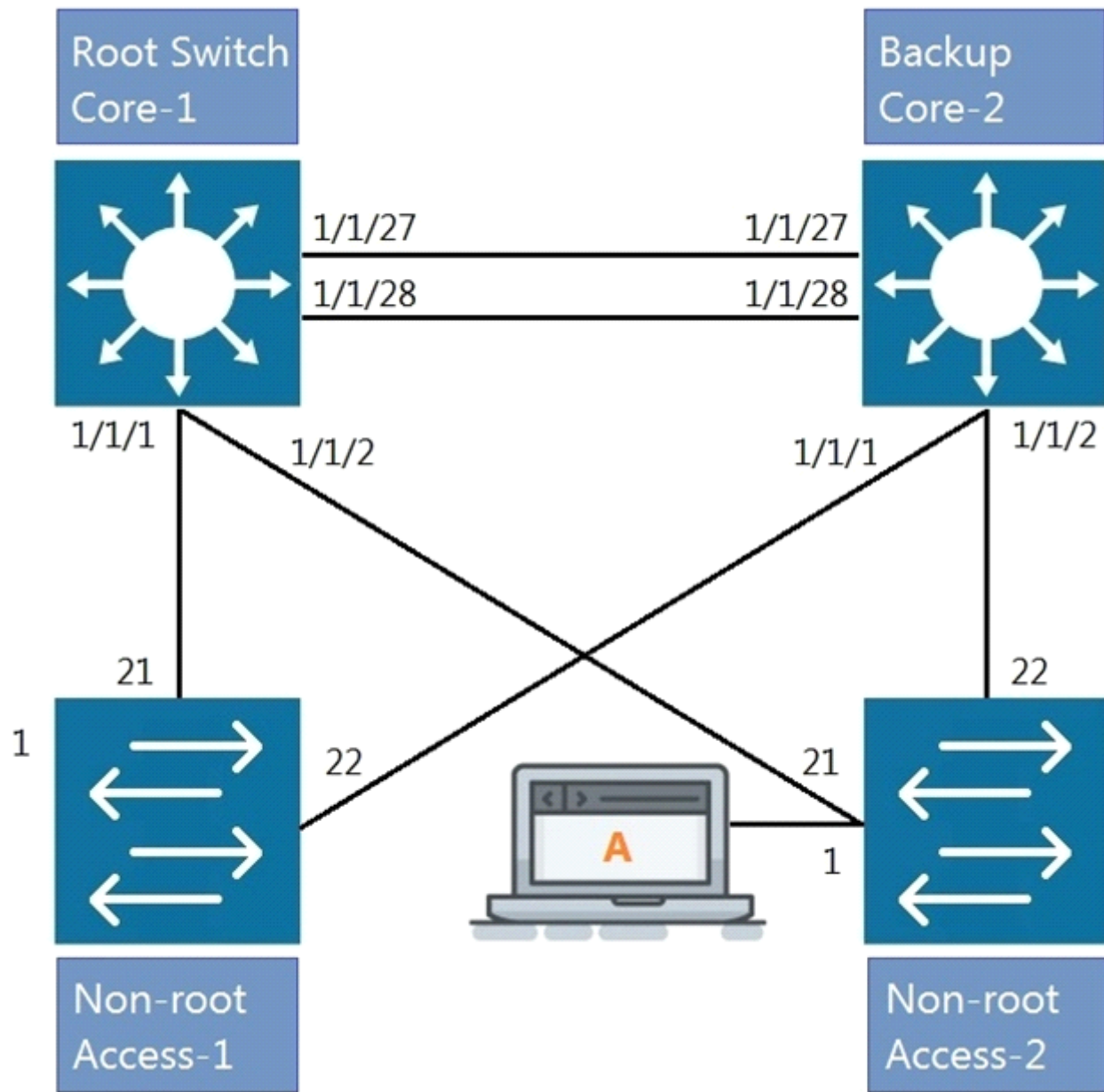
---

**Question Type:** MultipleChoice

---

Refer to the exhibit.





All four switches in the diagram have been configured with the region name "Aruba1".

What two other MSTP configurations must match for switches within the same MST region? (Choose two.)

**Options:**

---

- A- MST region type
- B- MST Bridge ID
- C- MST version number
- D- MST revision number
- E- MST VLAN to instance mapping

**Answer:**

---

D, E

**To Get Premium Files for HPE6-A72 Visit**

**<https://www.p2pexams.com/products/hpe6-a72>**

**For More Free Questions Visit**

**<https://www.p2pexams.com/hp/pdf/hpe6-a72>**

