



**Free Questions for [TMSTE](#) by [actualtestdumps](#)**

**Shared by [Manning](#) on [06-06-2022](#)**

**For More Free Questions and Preparation Resources**

**[Check the Links on Last Page](#)**

## Question 1

---

**Question Type:** MultipleChoice

---

What is the primary effect of the use of a service virtualization tool?

**Options:**

---

- A- the dependency of the availability of services decreases
- B- the test design effort for testing the services decreases
- C- the effort for the test execution of the services decreases

**Answer:**

---

A

## Question 2

---

**Question Type:** MultipleChoice

---

From a test-economic perspective, the answer to the question 'what does testing deliver?' uses the following formula:

Test Yield = Test Benefits = Test Costs

What is an example of Test Costs?

**Options:**

---

- A- reworking costs
- B- project management
- C- damage in production
- D- testing hours

**Answer:**

---

D

## Question 3

---

**Question Type: MultipleChoice**

---

What is the aim of the activity assessing the test basis?

**Options:**

---

- A- determining the risk of the various system parts
- B- selecting the most suitable test design techniques
- C- establishing whether or not the delivered parts of the testobject can be adequately tested
- D- establishing the testability of the test basis

**Answer:**

---

D

## Question 4

---

**Question Type: MultipleChoice**

---

Usability testing has a lot to do with the quality characteristic user friendliness.

What other quality characteristic relates to usability testing?

**Options:**

---

A- manageability

B- usability

C- reusability

D- portability

**Answer:**

---

B

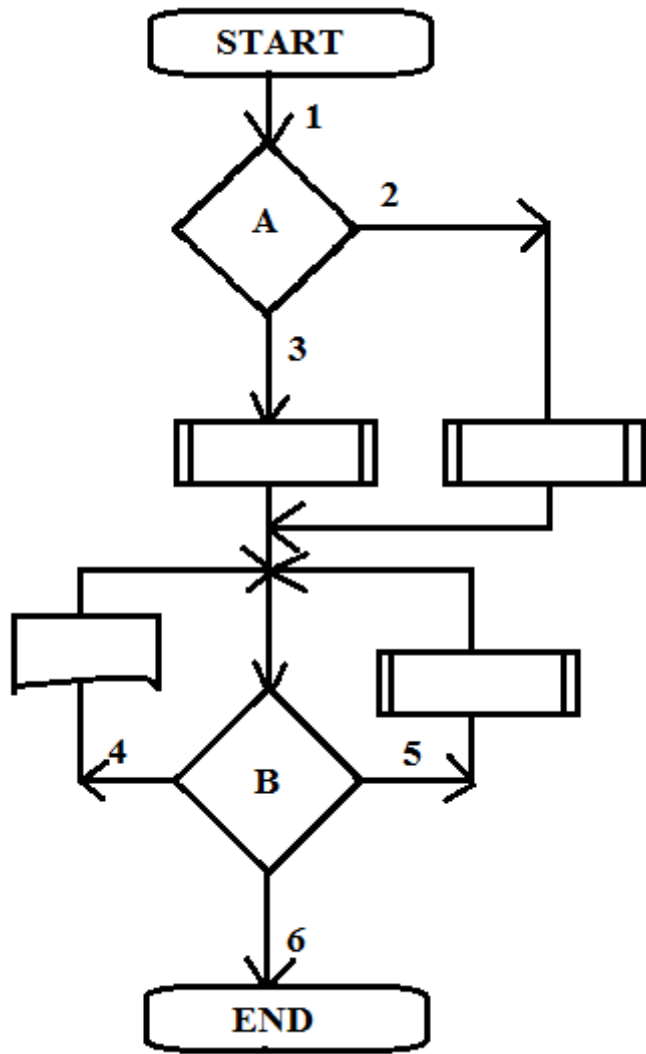
## Question 5

---

**Question Type:** MultipleChoice

---

See the procedure flow below:



What is the minimum number of logical test cases that is generated using the Process Cycle Test when the coverage type paths test depth level 2 is used?

**Options:**

---

A- 2

B- 6

C- 8

**Answer:**

---

A

## Question 6

---

**Question Type: MultipleChoice**

---

Why is it essential to define a correct central starting point?

**Options:**

---

A- to prevent increased testing costs

- B-** to be able to carry out an intake on the test infrastructure
- C-** to prevent production disturbances
- D-** to create test cases more economically

**Answer:**

---

A

## Question 7

---

**Question Type:** MultipleChoice

---

What is essential in an agile development process for a quality-driven approach?

**Options:**

---

- A-** An independent high-quality test process
- B-** Features have to be delivered according to plan, on time
- C-** Quality is built into the system development process



**Answer:**

---

C

## Question 8

---

**Question Type:** MultipleChoice

---

What is the most determining factor of the thoroughness of a test?

**Options:**

---

**A-** the test design technique used

**B-** the coverage type used

**C-** the number of test cases

**Answer:**

---

B

## Question 9

---

**Question Type: MultipleChoice**

---

Why does one logical test case lead to one physical test case?

**Options:**

---

- A- otherwise the coverage is different
- B- a coverage type leads to one physical test case
- C- a test design technique leads to one logical test case

**Answer:**

---

C

## Question 10

---

**Question Type: MultipleChoice**

---

See the decision table below:

1 2

Condition 1:Rain	0 1
Condition 2:Sun	1 0
Condition 3:Storm	0 1

Result 1: Beach visit	X
Result 2: Stay at home	X
Result 3: Read a book	X

Which coverage types has been used to make the decision table?

**Options:**

---

- A- decision points condition/decision coverage
- B- decision points modified condition/decision coverage
- C- decision points multiple condition/decision coverage

**Answer:**

---

C

# Question 11

---

**Question Type:** MultipleChoice

---

During testing, a record is kept of how much effort (in hours) is required to resolve a fault.

In which quality characteristic does this provide insight?

**Options:**

---

- A- in the flexibility of the information system
- B- in the maintainability of the information system
- C- in the performance of the information system
- D- in the testability of the information system

**Answer:**

---

B

**To Get Premium Files for TMSTE Visit**

<https://www.p2pexams.com/products/tmste>

**For More Free Questions Visit**

<https://www.p2pexams.com/exin/pdf/tmste>

