



Free Questions for 71801X by dumpsheet

Shared by Bond on 15-04-2024

For More Free Questions and Preparation Resources

Check the Links on Last Page

Question 1

Question Type: MultipleChoice

Which three requirements must be met for an Avaya IX Messaging High Availability installation? (Choose three.)

Options:

- A-** Maximum round-trip latency between the voice servers and the PBX must not exceed 200 milliseconds. Optimal round-trip latency is less than 150 milliseconds.
- B-** All servers must be part of the same Windows domain.
- C-** All servers must have a minimum 1 Gb/s connection to the network.
- D-** Maximum round-trip latency between the voice servers and the consolidated servers must not be more than 50 milliseconds.
- E-** The path of connectivity must have 20 Mb/s guaranteed bandwidth with no steady-state congestion.

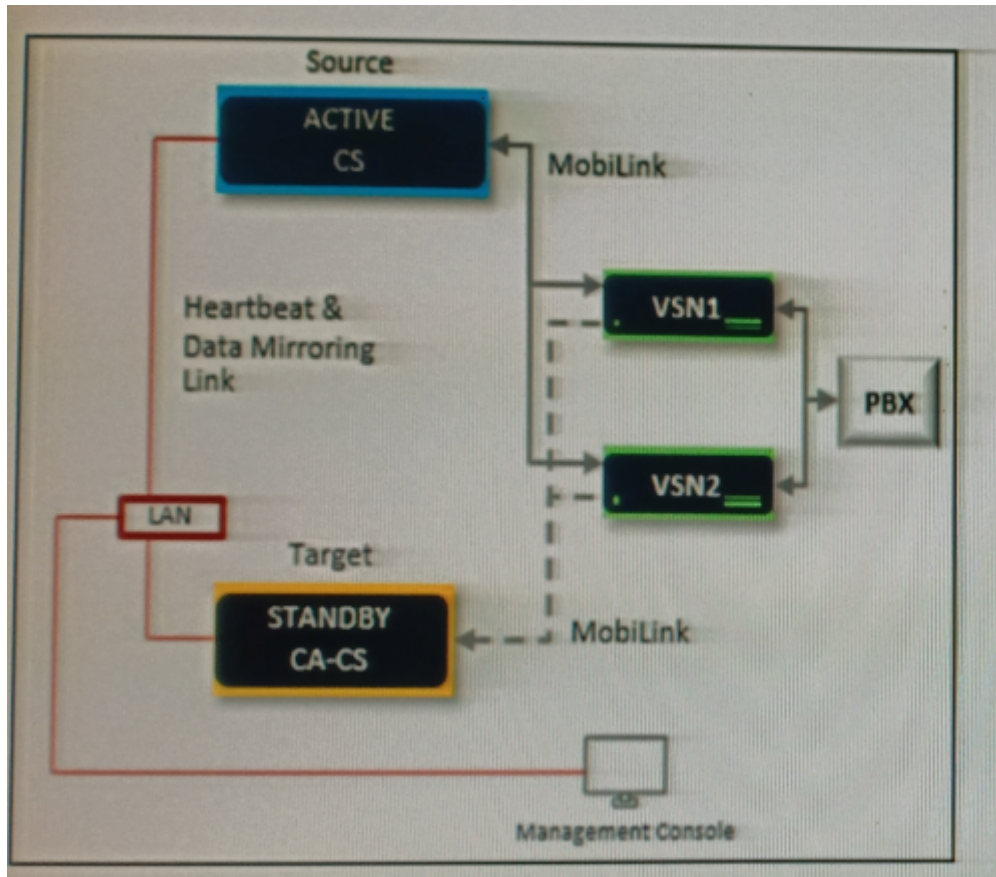
Answer:

A, C, E

Question 2

Question Type: MultipleChoice

Refer to the exhibit.



What is illustrated in the exhibit?

Options:

- A- VSN Architecture for Disaster Recovery
- B- Carbonite availability of the Consolidated Server for Disaster Recovery
- C- Two consolidated servers in the active-active mode
- D- A Management Console allowing Avaya IX Messaging moves, adds, and changes

Answer:

A

Question 3

Question Type: MultipleChoice

When using distributed VSN configuration, how many advanced users can an entire Avaya IX Messaging solution support?

Options:

- A- 4,800 advanced users

- B- 20,000 advanced users
- C- 60,000 advanced users
- D- 80,000 advanced users

Answer:

D

Question 4

Question Type: MultipleChoice

What is the user to channel licensing ratio in Avaya IX Messaging?

Options:

- A- 10:01
- B- 30:01
- C- 40:01
- D- 20:01

Answer:

C

Question 5

Question Type: MultipleChoice

Which two components are supported on Avaya IX Messaging Voice Server Node architecture? (Choose two.)

Options:

A- Audio / FAX / ASR / TTS

B- Transcription

C- IIS Web Service

D- Message Networking

E- Content Sync Engine

Answer:

D, E

Question 6

Question Type: MultipleChoice

Which two statements about Avaya IX Messaging integration with a third party PBX are true? (Choose two.)

Options:

- A-** The number of PBXs are limited by the license.
- B-** In multi-PBX/multi-node, PBX with MWI with SIP and with CTI are supported.
- C-** Integration of multiple PBXs is only supported if the PBXs support same type of MWI integration.
- D-** In multi-PBX/multi-node, all PBXs/nodes can use any trunk type for integration.
- E-** It is recommended that all PBXs/nodes use SIP trunks for integration.

Answer:

B, E

Question 7

Question Type: MultipleChoice

Which three are supported Avaya IX Messaging Deployment options? (Choose three.)

Options:

- A- Google cloud compute hosting (full or hybrid)
- B- Microsoft Azure cloud compute hosting (full or hybrid)
- C- Avaya Converged Platform turnkey appliance with pre-installed VMware
- D- A customer provided virtualized server
- E- A customer provided single purpose server per application

Answer:

A, D, E

Question 8

Question Type: MultipleChoice

When the Primary server becomes unavailable, it will stop updating the time stamps on the copied license files that exist on the Secondary server and the Consolidated server.

To stop the expiration of the copied license files, within how many days must the Primary server be recovered?

Options:

A- 30

B- 28

C- 14

D- 10

Answer:

D

Question 9

Question Type: MultipleChoice

Where do the most configurations within an Avaya IX Messaging High Availability system take place?

Options:

- A- On the Content Synchronization Engine server
- B- On the Consolidated server
- C- On the Primary server
- D- On the Secondary server

Answer:

C

Question 10

Question Type: MultipleChoice

In the event of one or more VSN failures in a High Availability architecture, which component provides continuous voice messaging and message retrieval to all registered users?

Options:

- A- Voice Server Node
- B- Content Sync Engine

C- Carbonite server

D- Consolidated Server

Answer:

C

Question 11

Question Type: MultipleChoice

Which three statements about license management in Avaya IX Messaging High Availability are true? (Choose three.)

Options:

A- The other servers (Secondary Server, Consolidated server, Mobilink Server, etc.) will maintain their individual license, which allows them to maintain full functionality.

B- The Primary voice server will hold the license, and becomes the primary holder of the license.

C- The license file will be copied to all voice servers by Mobilink.

D- The license files on other servers (Secondary Server, Consolidated server, Mobilink Server etc) are time stamped, and expire after a certain period of time.

E- The license files on other servers (Secondary Server, Consolidated server, Mobilink Server etc) are permanent, and do not expire.

Answer:

B, C, D

To Get Premium Files for 71801X Visit

<https://www.p2pexams.com/products/71801x>

For More Free Questions Visit

<https://www.p2pexams.com/avaya/pdf/71801x>

