



Free Questions for 4A0-C02 by [braindumpscollection](#)

Shared by [Ochoa](#) on [12-12-2023](#)

For More Free Questions and Preparation Resources

[Check the Links on Last Page](#)

Question 1

Question Type: MultipleChoice

Which of the following statements about G.8032 Ethernet Ring Protection is FALSE?

Options:

- A- Uses standard Ethernet dot1q and QinQ encapsulation.
- B- Requires IS-IS as the protocol to carry control information.
- C- Ethernet Ring APS is a defined ITU standard.
- D- Standard Ethernet forwarding, learning, and flooding rules apply.

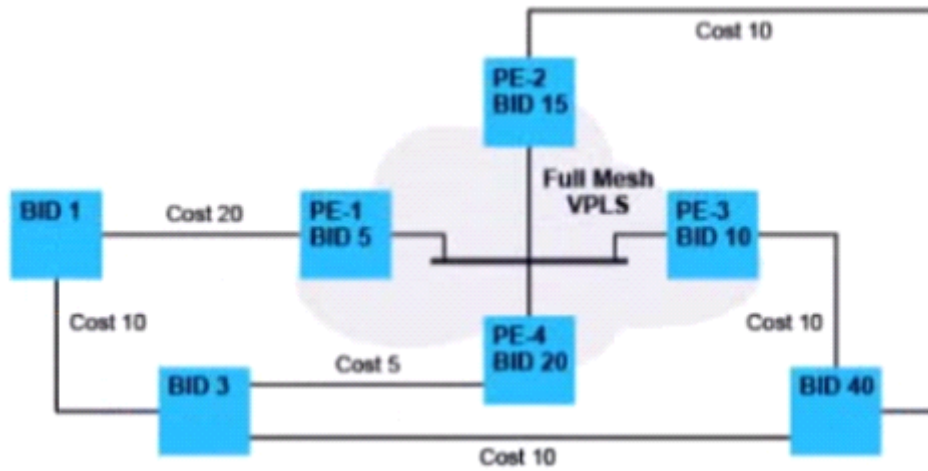
Answer:

B

Question 2

Question Type: MultipleChoice

Which of the following identify the port roles of the mesh SDPs?



A)

DP: PE-4
RP: PE-1, PE-2, PE-3

B)

DP: PE-1
RP: PE-2, PE-3, PE-4

C)

DP: PE-2, PE-3, PE-4
RP: PE-1

D)

DP: PE-1, PE-2, PE-3,
RP: PE-4

Options:

A- Option A

B- Option B

C- Option C

D- Option D

Answer:

A

Question 3

Question Type: MultipleChoice

Which of the following is NOT a benefit of using a spoke SDP in an H-VPLS design?

Options:

- A- Simplifies signaling.
- B- Reduces core's forwarding database size.
- C- Simplifies MDU configuration.
- D- Enables a scalable inter-domain solution.

Answer:

C

Question 4

Question Type: MultipleChoice

The FOB of the VPLS service shown below is empty. An Ethernet frame arrives from the customer on the SAP. Which of the following describes the action taken?

```
A:VPLSv3_PE1>config>service>vpls# info
-----
disable-learning
discard-unknown
fdb-table-size 10
local-age 60
remote-age 90
stp
  shutdown
exit
sap lab-1:100 create
  max-nbr-mac-addr 5
exit
mesh-sdp 2:100 create
  no shutdown
exit
mesh-sdp 3:100 create
  no shutdown
exit
spoke-sdp 4:100 create
  max-nbr-mac-addr 3
  no shutdown
exit
no shutdown
```

Options:

- A-** The source MAC will be learned on the SAP. The frame will be replicated and flooded out of all SDPs.
- B-** The source MAC will be learned on the SAP. The frame will be replicated and flooded out of all mesh SDP's.
- C-** The source MAC will be learned on the SAP. The frame will be replicated and flooded out of all spoke SDPs.
- D-** The frame will be discarded and no learning will take place.

Answer:

D

Question 5

Question Type: MultipleChoice

A network port using null encapsulation has a MTU of 1514 bytes. When MPLS transport is used without FRR, what is the maximum service MTU of a VPLS using that port?

Options:

A- 1536

B- 1514

C- 14%

D- 1492

E- 1488

Answer:

A

Question 6

Question Type: MultipleChoice

Which of the following is uniquely identified by the VPLS-ID in an LDP VPLS using Auto-Discovery^*

Options:

- A- VPLS switch identifier.
- B- VPLS service identifier.
- C- VPLS router identifier to all PEs.
- D- A locally unique VPLS service identifier.

Answer:

A

Question 7

Question Type: MultipleChoice

Which of the following protocols are used for service label signaling?

Options:

- A- Link LDP or MP-BGP
- B- Link LDP or RSVP-TE
- C- T-LDP or MP-BGP
- D- T-LDP or RSVP-TE

Answer:

C

Question 8

Question Type: MultipleChoice

Which of the following is a feature of LDP VPLS?

Options:

- A- Service labels are assigned based used on label blocks.
- B- BGP-AD, RADIUS and Management are used for auto-discovery.
- C- Service labels are signaled using MP-BGP.
- D- Hierarchical VPLS is loosely defined in the standards.

Answer:

A

Question 9

Question Type: MultipleChoice

Which of the following protocols are used for service label signaling?

Options:

- A- Link LDP or MP-BGP

B- Link LDP or RSVP-TE

C- T-LDP or MP-BGP

D- T-LDP or RSVP-TE

Answer:

C

To Get Premium Files for 4A0-C02 Visit

<https://www.p2pexams.com/products/4a0-c02>

For More Free Questions Visit

<https://www.p2pexams.com/nokia/pdf/4a0-c02>

