



Free Questions for DES-1721 by [braindumpscollection](#)

Shared by [Snyder](#) on [15-04-2024](#)

For More Free Questions and Preparation Resources

[Check the Links on Last Page](#)

Question 1

Question Type: MultipleChoice

Which statement is NOT correct for upgrading to SCOS version 07.03.01 and above?

Options:

- A- It does not allow the mixing 6 Gb and 12 Gb enclosures in a chain
- B- 25 Gb and 100-Gb iSCSI HBAs are supported
- C- The absence of spares for any disk class folder blocks the upgrade
- D- The user is asked for permission to enable the Spare Optimizer

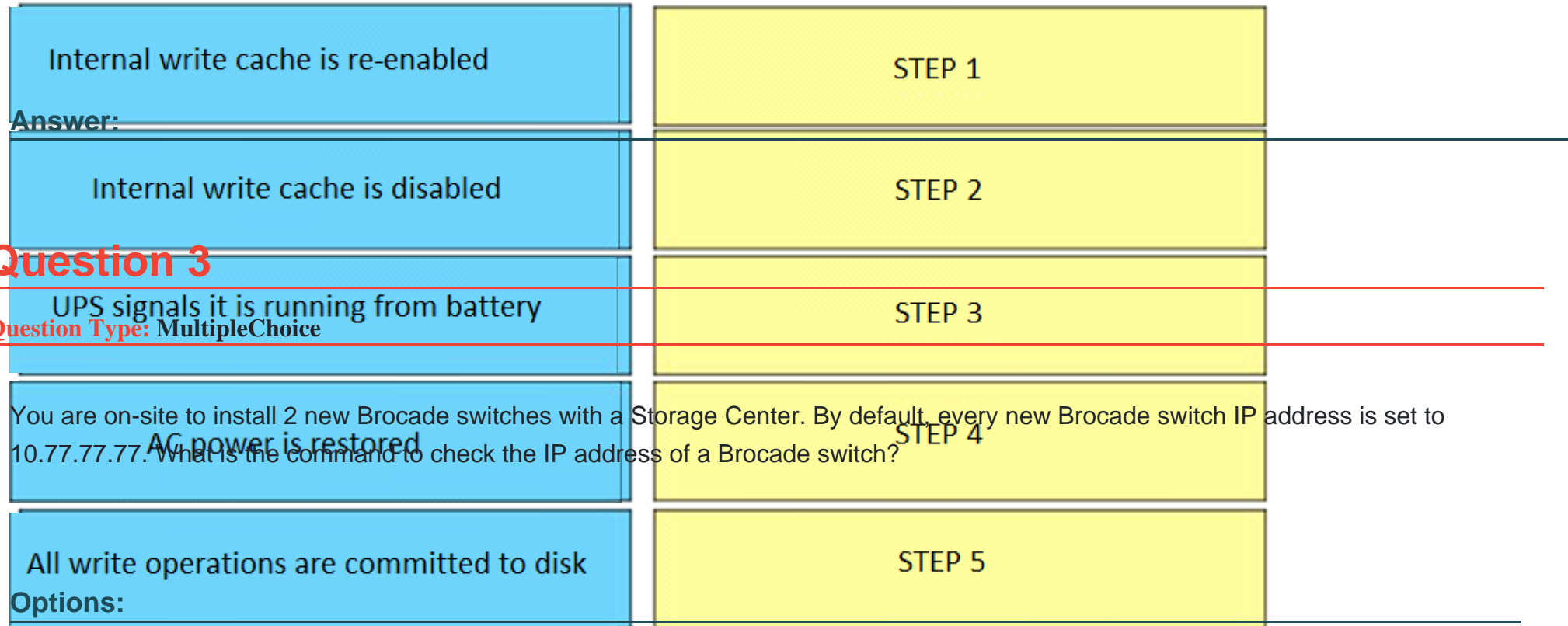
Answer:

B

Question 2

Question Type: DragDrop

What is order of steps that the Storage Center will follow when it senses that the UPS has lost input power?



Answer:

Question 3

Question Type: MultipleChoice

You are on-site to install 2 new Brocade switches with a Storage Center. By default, every new Brocade switch IP address is set to 10.77.77.77. What is the command to check the IP address of a Brocade switch?

- Options:
- A- cfgShow
 - B- configipaddr
 - C- ipaddrshow
 - D- showconfig

Answer:

C

Explanation:

<https://support.huawei.com/enterprise/en/doc/EDOC1100015351/bd83f900/configuring-the-fc-switching-plane>

Question 4

Question Type: MultipleChoice

During the addition of an SCv360 enclosure to a SCv3020 the PCIe SAS card is used for connectivity. The enclosure is NOT recognized by the system, why?

Options:

A- SCv3020 does not allow enclosure expansion

B- SCv2360 is unsupported for enclosure expansion

C- SCv3020 does not support 12Gb SAS

D- PCIe SAS is unsupported for enclosure expansion

Answer:

A

Explanation:

<https://www.dell.com/support/manuals/pk/en/pkbsdt1/storage-scv3000/scv3000-scv3020-dg/install-new-scv360-expansion-enclosures-in-a-rack?guid=guid-b6ea3764-45aa-46b0-8cfe-deaf09c7063e&lang=en-us>

Question 5

Question Type: MultipleChoice

A customer wants to configure their host to use MPIO with Storage Center. What is a requirement for it to work?

Options:

- A- At least two FC or iSCSI ports per host
- B- All host ports must be connected to a single Fault Domain
- C- MPIO is only supported on Linux OS
- D- This is a licensed feature

Answer:

A

Explanation:

https://downloads.dell.com/manuals/all-products/esuprt_software/esuprt_it_ops_datcentr_mgmt/general-solution-resources_white-papers3_en-us.pdf

Question 6

Question Type: MultipleChoice

Which command is used to assign the DNS server IP address 10.10.10.12 on an SC9000 during the initial configuration?

Options:

- A- controller ipconfig 10.10.10.12
- B- net dns init 10.10.10.12
- C- controller dnsserver 10.10.10.12
- D- ifconfig inet 10.10.10.12

Answer:

B

Question 7

Question Type: MultipleChoice

What is the maximum number of drives that can be supported on an SC9000 storage array?

Options:

- A- 948

B- 960

C- 1024

D- 1048

Answer:

C

Question 8

Question Type: MultipleChoice

Which SC Series array feature allows all front-end ports to act as active data paths?

Options:

A- Dual Fabric

B- ALUA

C- Virtual Port Mode

D- Legacy Port Mode

Answer:

C

Question 9

Question Type: MultipleChoice

You have installed the Dell Storage Manager (DSM) Client first and then the Data Collector. When attempting to connect to the newly installed Data Collector, you receive an error message, saying: no connection could be established.

What could be the cause of this error?

Options:

- A-** Firewall is blocking database connection of the Data Collector.
- B-** Wrong login credentials have been entered into the DSM Client.
- C-** Data Collector service may not have completely started.
- D-** Incompatible version of DSM Client was installed.

Answer:

C

Question 10

Question Type: MultipleChoice

You want to create a notification setting to help monitor how full the volumes are on an SC9000 system. In Dell Storage Manager (DSM), where would a schedule to only trigger these alerts during business hours be set up?

Options:

- A- "Edit Automated Report Settings"
- B- "Edit Data Collector Settings"
- C- "Threshold Alerts" Definition
- D- "Storage Center Summary" Report

Answer:

B

To Get Premium Files for DES-1721 Visit

<https://www.p2pexams.com/products/des-1721>

For More Free Questions Visit

<https://www.p2pexams.com/dell-emc/pdf/des-1721>

