



Free Questions for JN0-649 by certscare

Shared by Goff on 29-01-2024

For More Free Questions and Preparation Resources

Check the Links on Last Page

Question 1

Question Type: MultipleChoice

Which two statements are correct regarding the behavior shown in the exhibit? (Choose two.)

```
user@router> show ospf interface
```

Interface	State	Area	DR ID	BDR ID	Nbrs
ge-1/1/0.0	BDR	0.0.0.0	192.168.10.2	192.168.10.1	1
lo0.0	DR	0.0.0.0	192.168.10.1	0.0.0.0	0
ge-1/1/0.0	PtToPt	0.0.0.100	0.0.0.0	0.0.0.0	1
ge-1/1/2.0	DR	0.0.0.100	192.168.10.1	10.200.0.2	1

QUESTION

Options:

- A- The ge-1/1/0 interface is configured as secondary for Area 0.
- B- The router is an ABR.
- C- The router is not an ABR.
- D- The ge-1/1/0 interface is configured as secondary for Area 100.

Answer:

B, D

Question 2

Question Type: MultipleChoice

A modified deficit round-robin scheduler is defined by which three variables? (Choose three.)

Options:

- A- priority
- B- WRED
- C- transmit rate
- D- Layer 3 fields
- E- buffer size

Answer:

A, B, C

Question 3

Question Type: MultipleChoice

You are deploying new Juniper EX Series switches in a network that currently is using Cisco's Per-VLAN spanning tree plus (PVST+) and you must provide compatibility with this environment.

Which spanning tree protocol do you deploy in this scenario?

Options:

A- STP

B- MSTP

C- VSTP

D- RSTP

Answer:

B

Question 4

Question Type: MultipleChoice

Your EX Series switch has IP telephones and computers connected to a single switch port. You are considering implementing the voice VLAN feature to help with this setup.

In this scenario, which two statements are correct? (Choose two.)

Options:

- A-** The voice VLAN feature must be used with LLDP-MED to associate VLAN ID and 802.1p values with the traffic.
- B-** The interfaces must be configured as access ports.
- C-** Assigning the incoming voice and data traffic to separate VLANs enables the ability to prioritize the traffic using CoS.
- D-** The voice VLAN feature will enable incoming tagged data and voice traffic to be associated with separate VLANs.

Answer:

B, C

Question 5

Question Type: MultipleChoice

You recently committed a change to a router to reject OSPF routes sourced from area 10. However, you are still seeing area 10 routes in the routing table.

Referring to the exhibit, which statement is correct?

```
[edit policy-options]
policy-statement advertise-ospf-routes {
  term find-ospf {
    from {
      protocol ospf;
    }
    then {
      accept;
    }
  }
  term reject-area-10 {
    from {
      protocol ospf;
      area 10;
    }
    then {
      reject;
    }
  }
}
```

Options:

- A- The OSPF protocol is first matched by find-ospf and accepted.
- B- The routes only timeout after 24 hours.
- C- The routes remain in the table until the device is rebooted.
- D- The routes remain in the table until the routing daemon is restarted.

Answer:

A

Explanation:

Once a route is accepted, no other terms in the routing policy are evaluated.

Question 6

Question Type: MultipleChoice

What are two similarities between OSPFv2 and OSPFv3? (Choose two.)

Options:

- A- virtual links
- B- support for multiple instances per link
- C- 32-bit router ID
- D- protocol processing per link, not per subnet

Answer:

A, C

Question 7

Question Type: MultipleChoice

When using wide metrics, which two statements about route advertisement between IS-IS levels are correct? (Choose two.)

Options:

- A- Level 1 and Level 2 routers do not advertise Level 2 routes into the Level 1 area by default.

- B-** Level 1 routes are advertised to Level 2 routers by default.
- C-** If wide-metrics-only is configured, Level 1 routes are not advertised to Level 2 routers by default.
- D-** Level 1 routes advertised as external routes into Level 1 are not advertised to any Level 2 routers by default.

Answer:

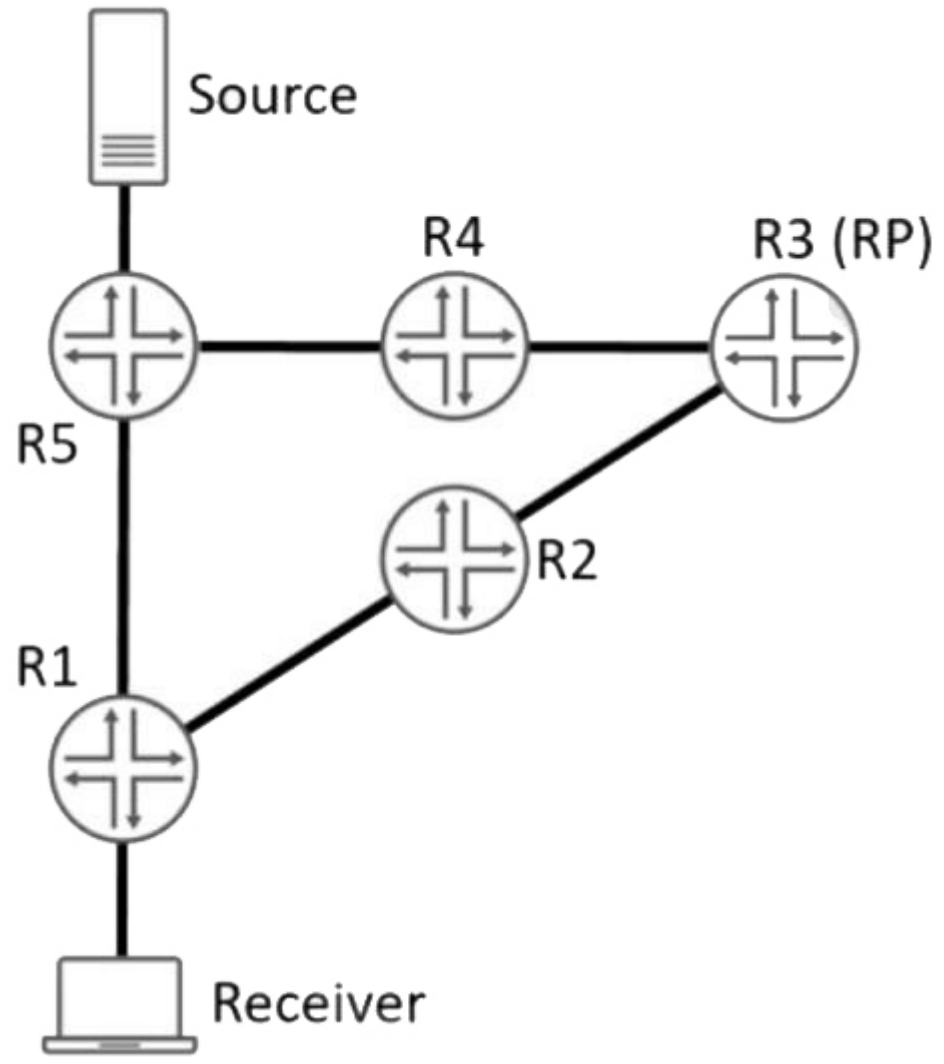
A, C

Question 8

Question Type: MultipleChoice

Referring to the exhibit, a PIM-SM network is set up to enable communication between multicast devices.

Which two statements are true? (Choose two.)



Options:

- A- Before the formation of the rendezvous-point tree, a join message is sent from R1 to R3.
- B- Before the formation of the rendezvous-point tree, an IGMP is sent from the Receiver to R1.
- C- Before the formation of the rendezvous-point tree, an IGMP is sent from the Source to R5.
- D- Before the formation of the rendezvous-point tree, a join message is sent from R1 to R5.

Answer:

B, C

Question 9

Question Type: MultipleChoice

Which three MSTP parameters must match on all switches in the same MST region? (Choose three.)

Options:

- A- forwarding delay

- B-** bridge priority
- C-** revision number
- D-** MSTI-to-VLAN mapping
- E-** configuration name

Answer:

C, D, E

Explanation:

<https://www.juniper.net/documentation/us/en/software/junos/stp-l2/topics/topic-map/spanning-tree-configuring-mstp.html>

Question 10

Question Type: MultipleChoice

Your network has an unmanaged switch between the hosts and your EX Series switch. After the traffic enters the EX Series switch, each host must be on a separate VLAN.

How would you accomplish this task?

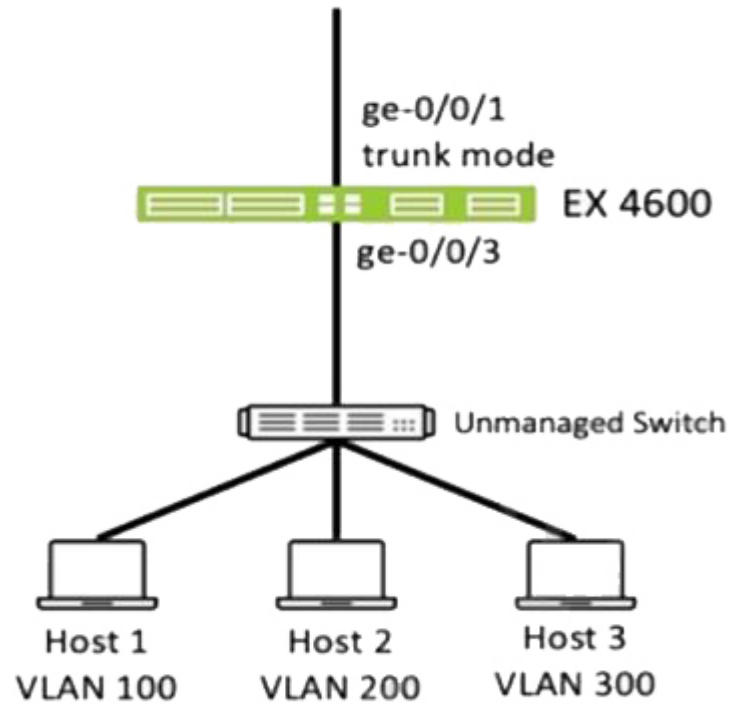


Figure 1: Network Diagram

Options:

- A- Configure an input firewall filter on interface `ge-0/0/3` to match the source MAC or IP address of the hosts to assign the VLANs.
- B- Configure an output firewall filter on interface `ge-0/0/1` to match the destination MAC or IP address of the hosts to assign the VLANs.

C- Configure interface ge-0/0/3 to a mode trunk to assign the VLANs.

D- Configure VSTP on interface ge-0/0/1 to assign the VLANs.

Answer:

C

To Get Premium Files for JN0-649 Visit

<https://www.p2pexams.com/products/jn0-649>

For More Free Questions Visit

<https://www.p2pexams.com/juniper/pdf/jn0-649>

