



Free Questions for H12-721 by certsdeals

Shared by Valdez on 12-12-2023

For More Free Questions and Preparation Resources

Check the Links on Last Page

Question 1

Question Type: MultipleChoice

In which of the following cases, IKE negotiation cannot use the main mode?

Options:

- A- IKE is in pre-shared mode, and the peer ID is ID
- B- IKE is in pre-shared mode, and the firewall external network exit uses DHCP to dynamically allocate addresses.
- C- IKE is in pre-shared mode and there is a NAT device on the link.
- D- IKE is in RSA certificate mode, and there is a NAT device on the link.

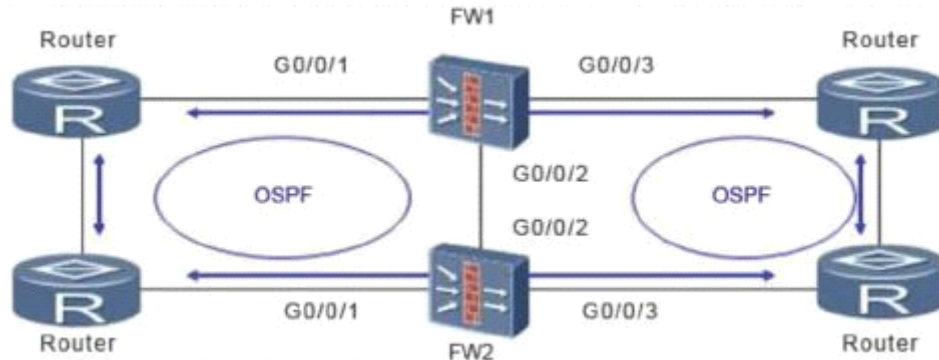
Answer:

B, C

Question 2

Question Type: MultipleChoice

As shown in the figure, the firewall is dual-system hot standby. In this networking environment, all service interfaces of the firewall work in routing mode, and OSPF is configured on the upper and lower routers. Assume that the convergence time of OSPF is 30s after the fault is rectified. What is the best configuration for HRP preemption management?



Options:

- A- hrp preempt delay 20
- B- hrp preempt delay 40
- C- hrp preempt delay 30
- D- undo hrp preempt delay

Answer:

A

Question 3

Question Type: MultipleChoice

If the IPSec policy is configured in the policy template and sub-policy mode, the firewall applies the policy template first and then applies the sub-policy.

Options:

A- TRUE

B- FALSE

Answer:

B

Explanation:

Note: Choose template mode or non-template mode: There are three main modes depending on the characteristics of the peer device: First, remote mobile client access, do not know the client IP address, can not configure remote-address, can only be used Template mode + barbarian mode name authentication; second, communication between two branches, IP address is fixed, non-template mode is used; third, branch office is not fixed IP, then the headquarters uses policy template mode, branch use Strategy mode.

Question 4

Question Type: MultipleChoice

The USG_B status is HRP_M[USG_A], and the USG_B status is HRP_S[USG_B]. The status of the USG_A is HRP_M[USG_A]. However, all traffic did not pass USG_A completely, and half of the traffic also passed USG_B.

Options:

- A- [USG_A]hrp ospf-cost adjust-enable [USG_B]hrp ospf-cost adjust-enable
- B- [USG_B]interface GigabitEthernet 0/0/1 [USG_B- GigabitEthernet 0/0/1]hrp track master [USG_B]interface GigabitEthernet 0/0/3 [USG_B- GigabitEthernet 0/0/3]hrp track master
- C- hrp preempt delay 60
- D- The address of the heartbeat is not released to OSPF.

Answer:

D

Question 5

Question Type: MultipleChoice

L2TP is a tunneling protocol set up for transparent transmission of PPP packets between users and enterprise servers. Which of the following features are included?

Options:

- A- L2TP protocol uses the TCP protocol
- B- supports private address allocation and does not occupy public IP addresses.
- C- and PPP configurations support authentication and work with Radius to support flexible local and remote AAA After combining with IPSec,
- D- supports encryption of packets.

Answer:

B, C, D

Question 6

Question Type: MultipleChoice

The HRP technology can implement the standby firewall without any configuration information. All the configuration information is synchronized by the main firewall to the standby firewall through HRP, and the configuration information is not lost after the restart.

Options:

A- TRUE

B- FALSE

Answer:

B

Question 7

Question Type: MultipleChoice

An intranet has made a network, the old equipment is offline, the new network equipment is brought online, and after the service test, it is found that most of the original service traffic cannot work normally. What is the quickest way to restore the business?

Options:

- A- layering method
- B- segmentation method
- C- replacement method
- D- block method

Answer:

C

Question 8

Question Type: MultipleChoice

When using the SSL VPN client to start the network extension, the prompt "Connection gateway failed", what are the possible reasons for the failure?

Options:

- A- If the proxy server is used, the proxy server settings of the network extension client are incorrect.
- B- The route between the B PC and the virtual gateway is unreachable.

- C-** TCP connection between the network extension client and the virtual gateway is blocked by the firewall
- D-** username and password are incorrectly configured

Answer:

A, B, C

Question 9

Question Type: MultipleChoice

Comparing URPF strict mode and loose mode, which of the following statements is incorrect?

Options:

A- strict mode requires not only the corresponding entry in the forwarding table, but also the interface must match to pass the URPF check.

B- If the source address of the packet does not exist in the FIB table of the USG, and the default route is configured, the packet will be forwarded through the URPF check.

URPF strict mode is recommended in a

C- route symmetric environment.

D- Loose mode does not check whether the interface matches. As long as the source address of the packet exists in the FIB table of the USG, the packet can pass.

Answer:

B

To Get Premium Files for H12-721 Visit

<https://www.p2pexams.com/products/h12-721>

For More Free Questions Visit

<https://www.p2pexams.com/huawei/pdf/h12-721>

