



Free Questions for CLAD by certsdeals

Shared by Brock on 29-01-2024

For More Free Questions and Preparation Resources

Check the Links on Last Page

Question 1

Question Type: MultipleChoice

Which of the following methods is NOT a method to create a 1-D Array?

Options:

- A- Place an Array Shell on the Front Panel and drag a Control into the shell.
- B- Use a While Loop with auto-indexing disabled.
- C- Use a For Loop with auto-indexing enabled.
- D- Use the Initialize Array function.

Answer:

B

Question 2

Question Type: MultipleChoice

The Wait function can be added to While Loops:

Options:

- A- To free up available memory.
- B- To allocate memory used by the CPU.
- C- To allow the processor time to complete other tasks.
- D- To reserve which processor the code is running on.

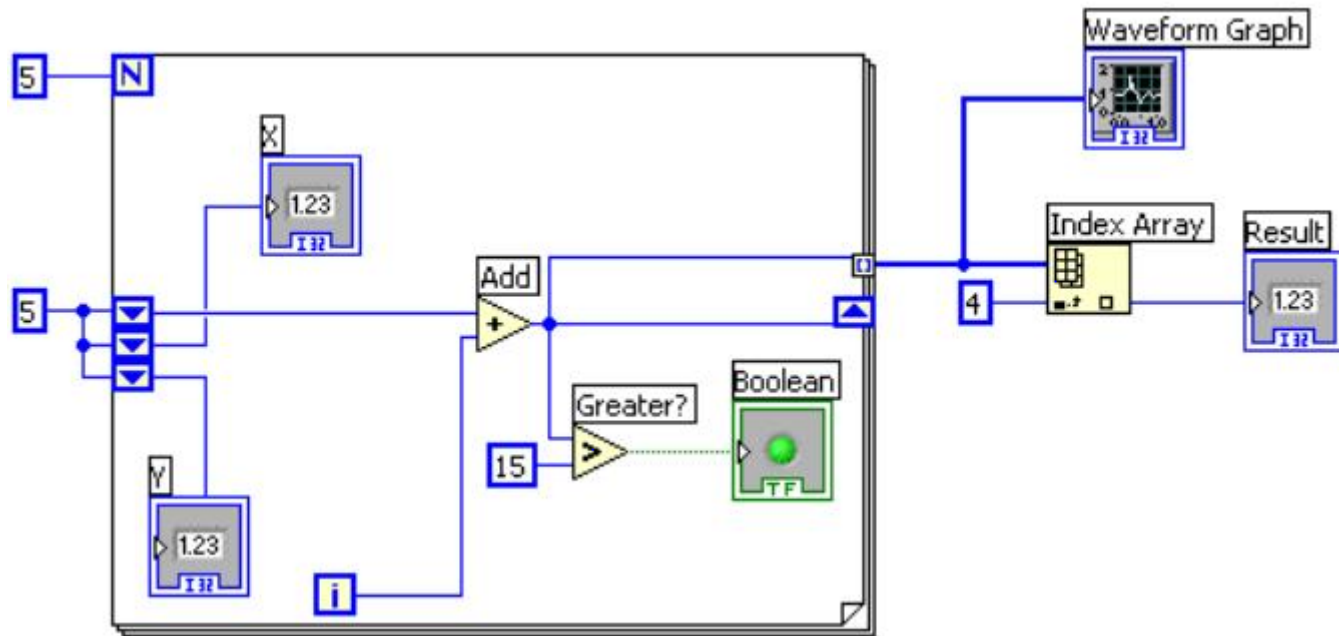
Answer:

C

Question 3

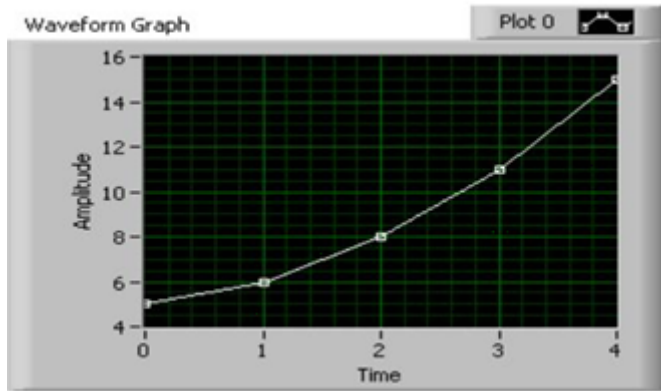
Question Type: MultipleChoice

Which of the graphs below matches the output in the Waveform Graph indicator after the following code has executed?

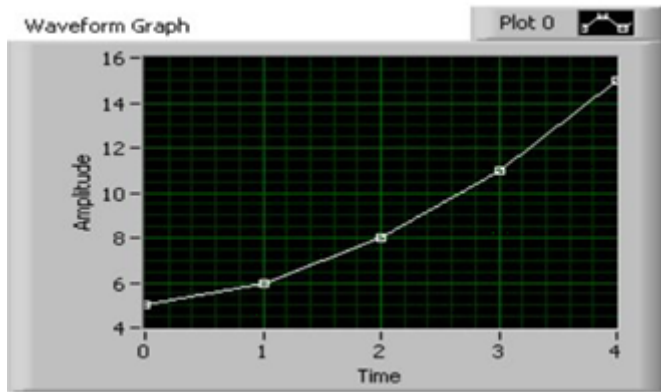


Options:

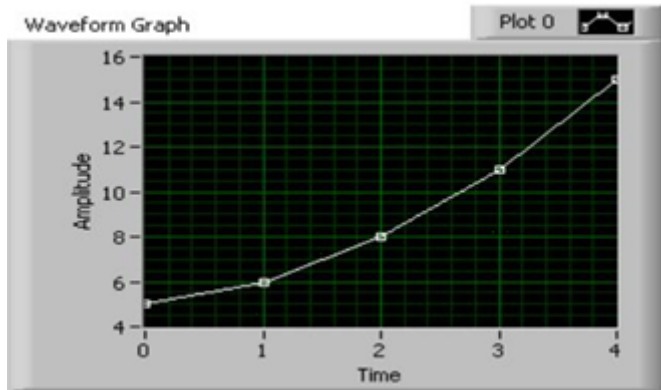
A- Option A



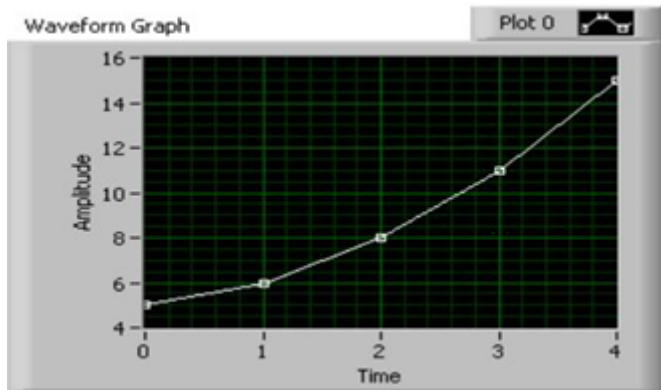
B- Option B



C- Option C



D- Option D



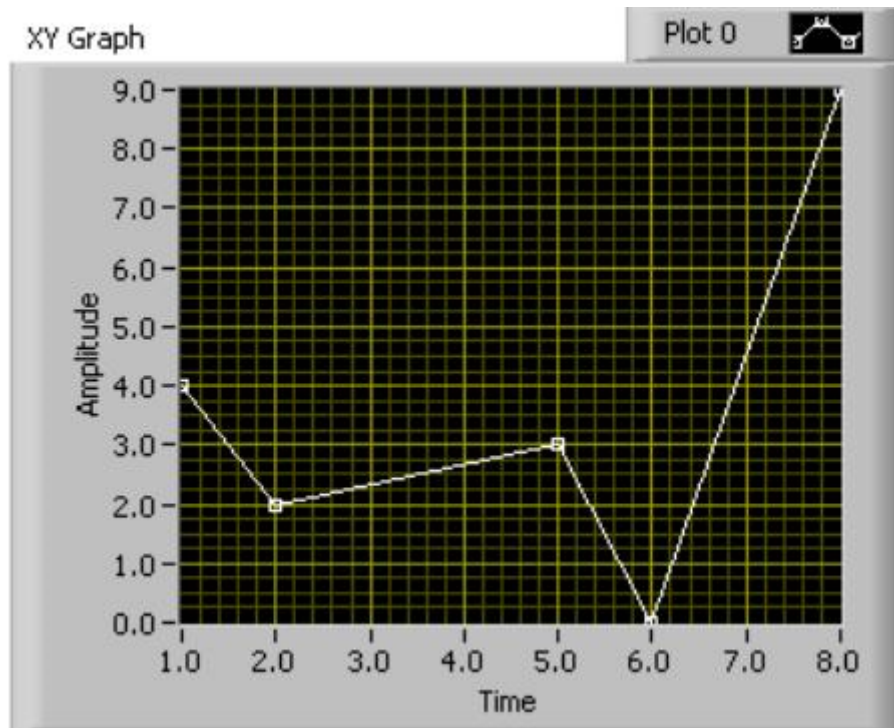
Answer:

D

Question 4

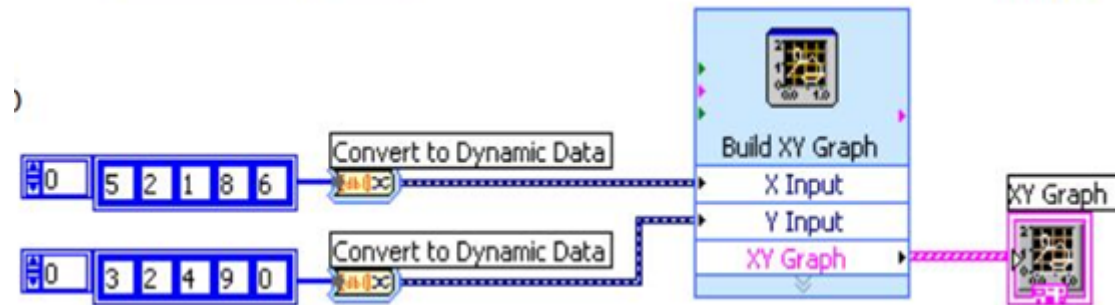
Question Type: MultipleChoice

Which of the following produces this XY Graph?

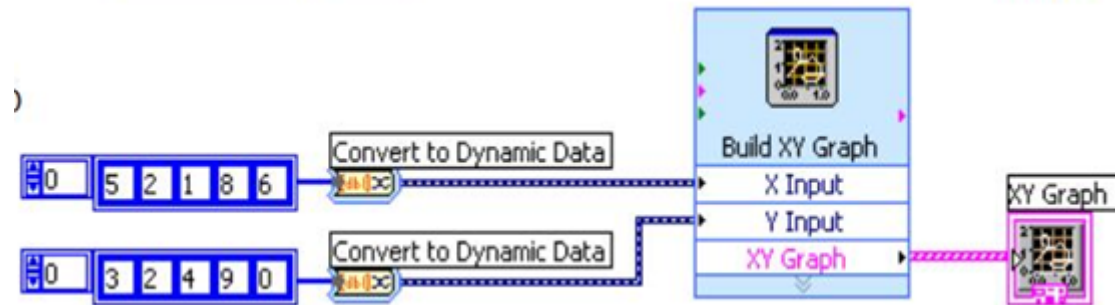


Options:

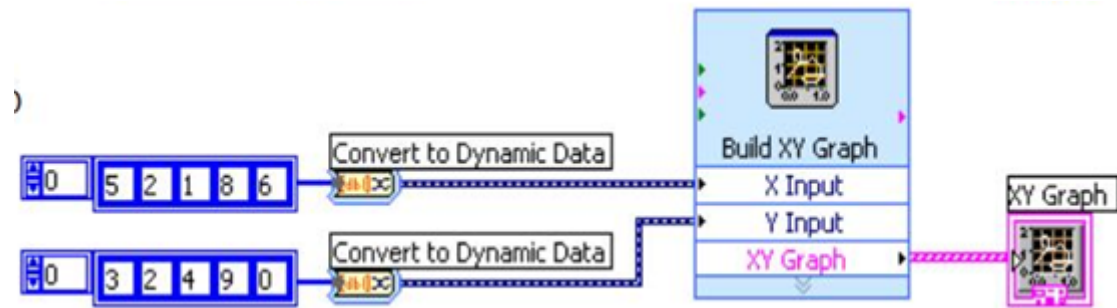
A- Option A



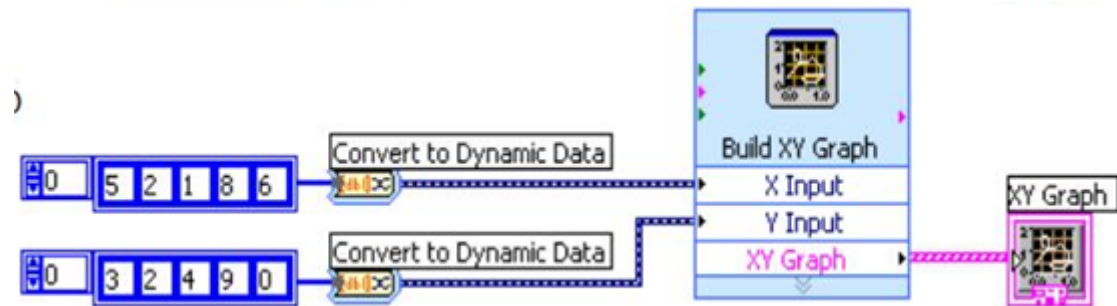
B- Option B



C- Option C



D- Option D



Answer:

B

Question 5

Question Type: MultipleChoice

Which of the following allows you to plot any set of points, evenly distributed or not?

Options:

- A- Waveform Graph
- B- Waveform Chart
- C- XY Graph
- D- Both A. and C.

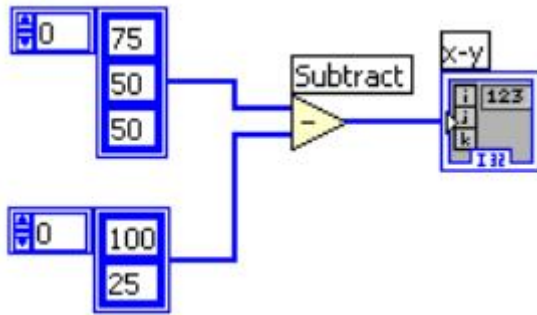
Answer:

C

Question 6

Question Type: MultipleChoice

What is the result of the following Array subtraction?



Options:

- A- A 1-D Array of {-25, 25, 50}
- B- A 1-D Array of {-25, 25}
- C- A 2-D Array of {{-25, -50, -50}, {50, 25, 25}}
- D- A 1-D Array of {75, -50, 25}

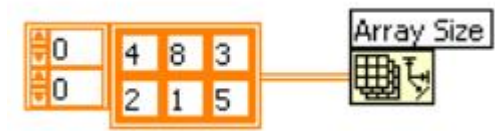
Answer:

B

Question 7

Question Type: MultipleChoice

In the figure below, the output of Array Size is



Options:

- A- a 1-D Array of {2, 3}
- B- a 1-D Array of {3,2}
- C- 2
- D- None of the above

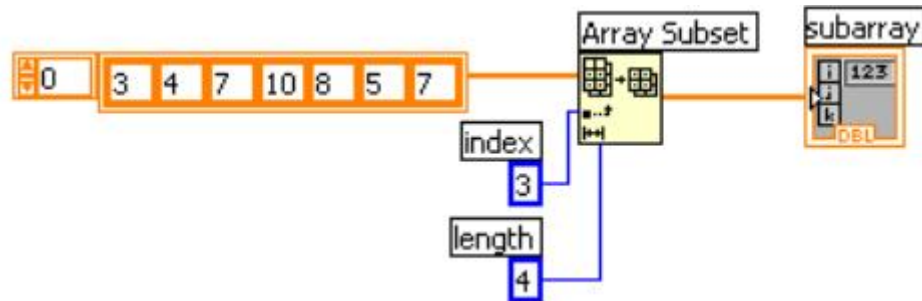
Answer:

A

Question 8

Question Type: MultipleChoice

What is the result in subarray after the following code has executed?



Options:

- A- A 1-D Array of {8, 5, 7}
- B- A 1-D Array of {10, 8, 5}
- C- A 1-D Array of {10, 8, 5, 7}
- D- A 1-D Array of {7, 10, 8, 5}

Answer:

C

Question 9

Question Type: MultipleChoice

Which of the following display options are available for strings on the Front Panel?

Options:

- A- \' Codes
- B- Password
- C- Hex
- D- All of the above

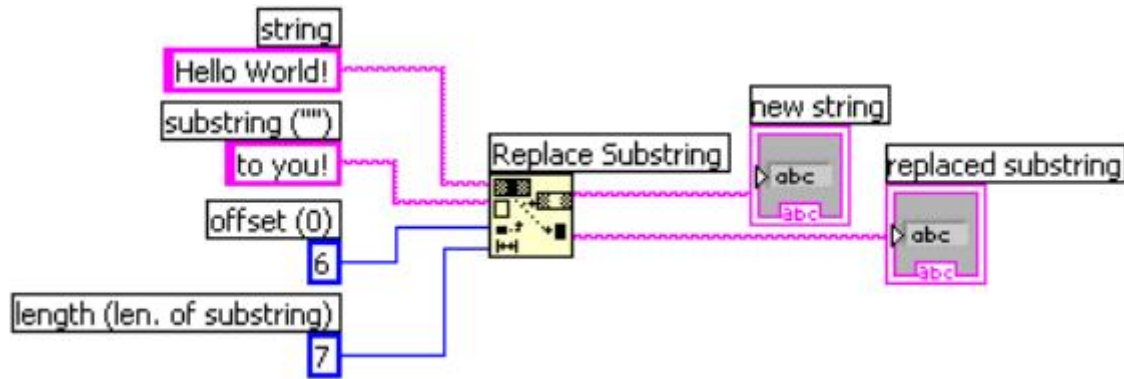
Answer:

D

Question 10

Question Type: MultipleChoice

What is the result in new string after the following code has executed?



Options:

- A- Hello to you!
- B- Hello Wto you!
- C- Hello to you!!
- D- Helloto you!

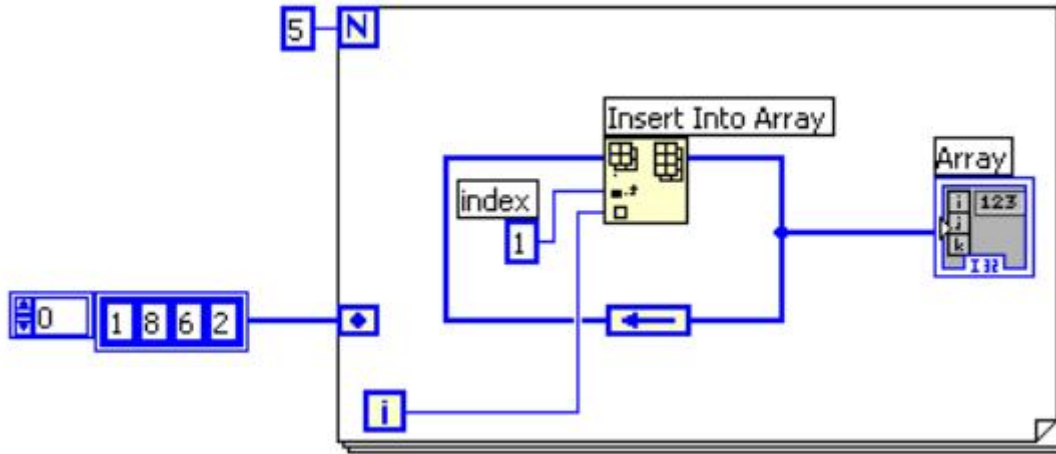
Answer:

A

Question 11

Question Type: MultipleChoice

What is the result in Array after the following code has executed?



Options:

- A-** A 1-D array of {1, 4, 3, 2, 1, 0}
- B-** A 1-D array of {1, 8, 0, 1, 2, 3, 4, 6, 2}
- C-** A 1-D array of {1, 4, 3, 2, 1, 0, 8, 6, 2}
- D-** A 1-D array of {1, 8, 0, 1, 2, 2, 9}

Answer:

C

To Get Premium Files for CLAD Visit

<https://www.p2pexams.com/products/clad>

For More Free Questions Visit

<https://www.p2pexams.com/ni/pdf/clad>

