



**Free Questions for SC0-451 by certsdeals**

**Shared by Rogers on 15-04-2024**

**For More Free Questions and Preparation Resources**

**Check the Links on Last Page**

## Question 1

---

### Question Type: MultipleChoice

---

You are configuring a Cisco Router, and are creating Access Control Lists as part of the security of the network. When creating Wildcard Masks, which of the following rules apply?

#### Options:

---

- A- If the wildcard mask bit is a 1, then do not check the corresponding bit of the IP address for a match.
- B- If the wildcard mask bit is a 0, then do not check the corresponding bit of the IP address for a match.
- C- If the wildcard mask bit is a 1, then do check the corresponding bit of the IP address for a match.
- D- If the wildcard mask bit is a 0, then do check the corresponding bit of the IP address for a match.
- E- To create a Wildcard Mask, always take the inverse of the Subnet Mask.

#### Answer:

---

A, D

## Question 2

---

**Question Type: MultipleChoice**

---

As per the specifications of RFC 1191: Path MTU Discovery, MTUs have been defined so that transmitted datagrams will not unnecessarily become fragmented when traveling across different types of physical media. You are going to run several packet captures to be sure there are no out of spec packets on your network. According to these specifications what are the absolute minimum and maximum MTUs?

**Options:**

---

- A- 1492 Bytes and 1500 Bytes respectively
- B- 68 Bytes and 65535 Bytes respectively
- C- 512 Bytes and 1500 Bytes respectively
- D- 512 bits and 1500 bits respectively
- E- 512 bits per second and 1500 bits per second respectively

**Answer:**

---

B

**Question 3**

---

**Question Type: MultipleChoice**

---

You have been given the task of implementing the wireless solution for your organization's campus. Which two antenna types are best suited for bridge applications connecting two buildings?

**Options:**

---

- A- Yagi
- B- Parabolic
- C- Omni-directional
- D- Di-polar
- E- Mono-polar

**Answer:**

---

A, B

## Question 4

---

**Question Type: MultipleChoice**

---

A router has two active Ethernet interfaces. Interface E0 is connected to network 10.10.0.0/16 while Interface E1 is connected to network 10.11.0.0/16. You are configuring access control lists to manage specific access, which is disallowed on these segments. The configuration of the lists are as follows:

```
router(config)#access-list 123 deny tcp 10.11.0.0 0.0.255.255 10.10.0.0 0.0.255.255 eq 20
```

```
router(config)#access-list 123 deny tcp 10.11.0.0 0.0.255.255 10.10.0.0 0.0.255.255 eq 21
```

```
router(config)#access-list 123 deny tcp 10.10.0.0 0.0.255.255 10.11.0.0 0.0.255.255 eq 20
```

```
router(config)#access-list 123 deny tcp 10.10.0.0 0.0.255.255 10.11.0.0 0.0.255.255 eq 21
```

```
router(config)#access-list 123 permit tcp 0.0.0.0 255.255.255.255 0.0.0.0 255.255.255.255
```

```
router(config)#Interface Ethernet 0 router(config-if)#ip access-group 123 in router(config-if)#Interface Ethernet 1 router(config-if)#ip access-group 123 in
```

Based on the above list configuration, which of the following statements is true on the router?

### Options:

---

- A-** All packets will be dropped
- B-** All packets that match the deny statements will be forwarded to the console port
- C-** All packets that do not match the deny statements will be allowed
- D-** An Access List cannot simultaneously be implemented upon two or more interfaces
- E-** We do not know if this is a standard or extended access list, therefore there is not enough information.

**Answer:**

---

A

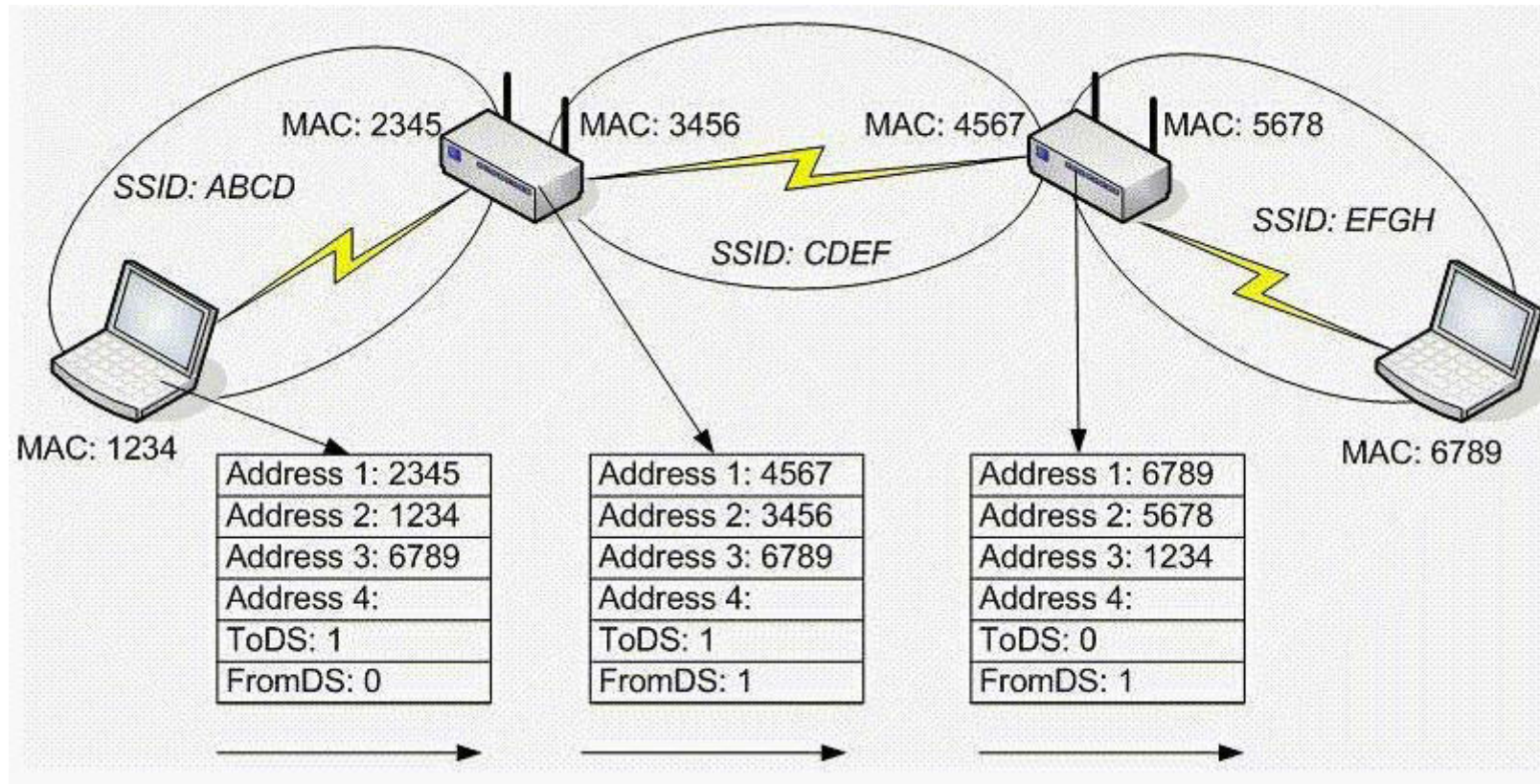
## Question 5

---

**Question Type:** MultipleChoice

---

In the image, there are two nodes communicating via two access points that are bridging together two segments. In the middle packet, under the left access point, the Address 4: field is blank. If this packet is destined for the computer on the right side of the image, what must be the value of Address field 4 in this middle packet?



**Options:**

**A-** ABCD

**B-** 6789

**C-** 2345

D- 1234

E- CDEF

**Answer:**

---

D

## Question 6

---

**Question Type: MultipleChoice**

---

You are going to configure your SuSe Linux machine to run Snort, as the IDS in your network. In order to take full advantage of Snort, you have read that you need a LAMP Server. What are the components of a LAMP Server?

**Options:**

---

- A- Linux, Apache, MySQL, and PHP
- B- Linux, ADOdb, MySQL, and Python
- C- Linux, ADOdb, MySQL, and Perl
- D- Linux, Apache, Mozilla, and Pear



**E-** Linux, ADOdb, Mozilla, and PHP

**Answer:**

---

A

**To Get Premium Files for SC0-451 Visit**

**<https://www.p2pexams.com/products/sc0-451>**

**For More Free Questions Visit**

**<https://www.p2pexams.com/scp/pdf/sc0-451>**

