



Free Questions for 300-610

Shared by Wong on 15-04-2024

For More Free Questions and Preparation Resources

[Check the Links on Last Page](#)



Question 1

Question Type: MultipleChoice

An engineer is building a data center network with VXLAN EVPN. The requirement is to use multicast for the broadcast, unknown unicast, and multicast replication.

Which two VNI to multicast group mapping methods must be used to meet these requirements? (Choose two.)

Options:

- A- many NVE to one multicast group
- B- one VNI to one multicast group
- C- many VNI to one multicast group
- D- one NVE to many multicast groups
- E- many VNI to many multicast groups

Answer:

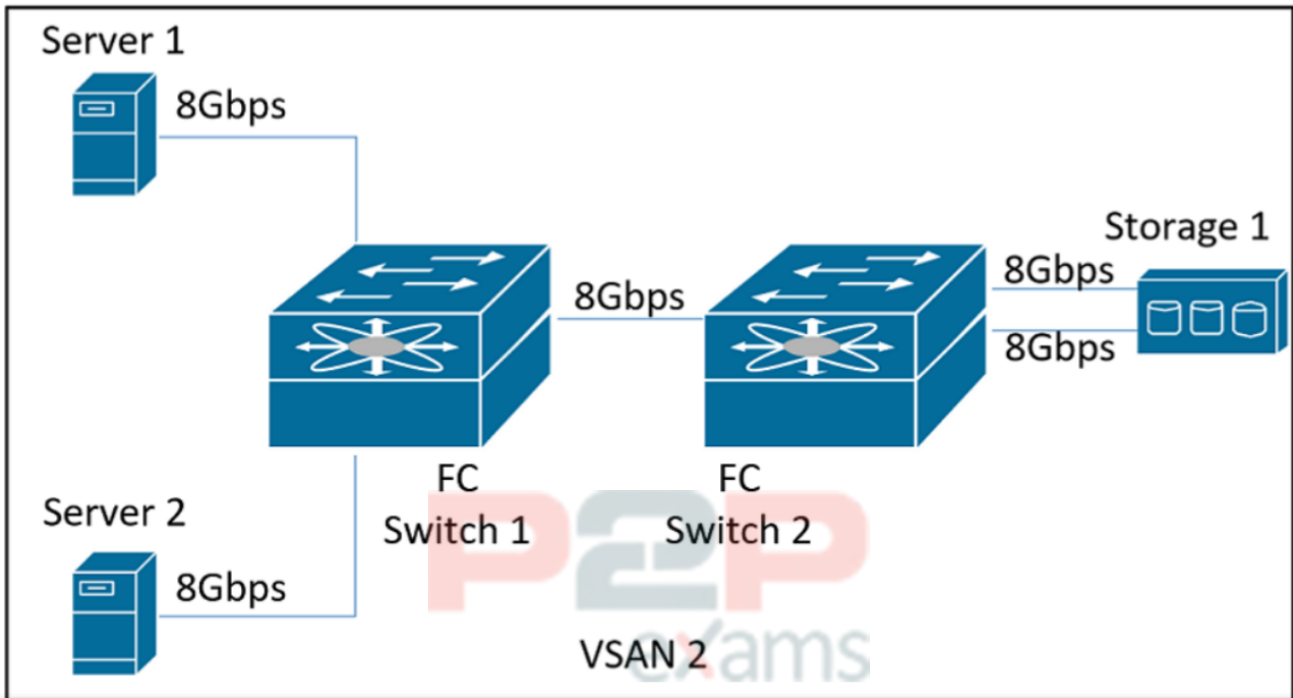
C, D

Question 2

Question Type: MultipleChoice

Refer to the exhibit.





A customer runs an Online Transaction Processing (OLTP) application on Server1. The application generates a small number of transactions and requires low storage latency. Server2 is a backup server that performs backups twice a day. During the backup window, the OLTP application experiences high-latency spikes that affect the application performance. The customer must meet these requirements:

- * Maintain consistent low I/O latency for the OLTP server.
- * Guarantee I/O throughput for the OLTP server during backup time.
- * Allow the customer to keep the existing hardware.

Which action must be taken to meet these requirements?

Options:

- A- Apply a traffic shaper to the FC Switch 1 interface that is facing the server.
- B- Create a SAN port channel between FC Switch 1 and FC Switch 2.
- C- Add another 8G link to the Server 1 and create F-Port-channel.
- D- Configure QoS and scheduler for data traffic on both Fibre Channel switches.

Answer:

D

Question 3

Question Type: MultipleChoice

An engineer must design a secondary site to prevent a catastrophic primary site failure. The applications must communicate across sites via the data link layer of the OSI model. The Layer 3 transport that is available for this solution consists of 10-Gb connections over Layer 3.

Which two solutions meet these requirements? (Choose two.)

Options:

- A- OTV
- B- vPC
- C- OSPF
- D- ISIS
- E- VXLANEVPN



Answer:

A, E

Question 4

Question Type: MultipleChoice

A Cisco engineer is developing a custom application that can run natively in Cisco NX-OS on Nexus 9000 and Nexus 3000 platforms. For the NX-SDK application to run, the engineer enables the NX-SDK feature on the device. Then the NX-SDK is imported into the application via an `import nx_sdk_py` statement. The engineer creates custom CLI commands and defines custom CLI command syntax within the `sdkThread` function. When CLI commands originate from an NX-SDK application, what class is this?



Options:

- A- `clim.printConsole`
- B- `postCliCb`
- C- `pyCmdhandler`
- D- `nx_sdk_pyValid-to_int`

Answer:

D

Question 5

Question Type: MultipleChoice

An engineer must implement a WWPN pool for the vHBA template inside the Cisco UCS Manager. The template is used to connect a Cisco UCS B-Series blade to an external storage array.

Which addressing sequence accomplishes this goal?

Options:

- A- from 20:00:00:00:00:00:00:00 to 20:FF:FF:FF:FF:FF:FF:FF
- B- from 192.168.1.1 to 192.168.1.254
- C- from iqn.2020-c41i4p21y5a165.lab.ucsf-00 to iqn.2020-ceiD1pj5y135-8.lab.ucsf-FF
- D- from 00:0A:E6:3E:00:00 to 00:0A:E6:3E:00:FF

Answer:

A

Question 6

Question Type: MultipleChoice

A network architect designs the iSCSI architecture. The requirements are to achieve high performance and a low amount of oversubscription and to minimize latency. Which two actions must be taken to meet these requirements? (Choose two.)

Options:

- A- Configure the size of the payload in each frame to MTU 9000.
- B- Minimize the number of hops between the storage and the hosts.
- C- Enable iSCSI port binding on the Initiator device.
- D- Set the size of the payload in each frame to MTU 1500.
- E- Use a software-based iSCSI adapter on the client side.

Answer:

A, C

Question 7

Question Type: MultipleChoice

A network consultant reviews the requirements for the Storage Area Network (SAN) design. The proposed solution must offer a very efficient port usage and eliminate the need for a separate physical layer of switches and their associated ISLs. The design is not expected to require future expansion.

Which SAN topology must be used to meet these requirements?

Options:

- A- core-edge
- B- collapsed-core
- C- core-distribution-access
- D- edge-core-edge

Answer:

A

Question 8

Question Type: MultipleChoice

The network infrastructure team is beginning to automate routine tasks within the Cisco ACI fabric and is searching for the appropriate solution. The solution must not require any additional software installed on the Cisco APIC. Networking team members lack automation experience and prefer to use a tool that does not require in-depth programming knowledge. Finally, configuration within the Cisco ACI fabric is rarely modified or removed. Which solution must the team choose?

Options:

- A- Cobra SDK
- B- Ansible
- C- Terraform
- D- Puppet

Answer:

A

Question 9

Question Type: MultipleChoice

An engineer needs an orchestration and monitoring tool that should be used for managing the storage networks and VXLAN fabrics. The tool should also allow support built-in dashboard and real-time health summary for managed devices. Which tool meets these requirements?

Options:

- A- Cisco Intersight
- B- Ansible
- C- Puppet
- D- Cisco DCNM

Answer:

D

Question 10

Question Type: MultipleChoice

A cloud service provider is managing day-2 operations of over 200 blade servers installed in the Cisco UCS environment. This pool of network resources is providing virtual networks to their customers. To successfully operate this environment, frequent changes to vNICs and other operational policies are required across multiple UCS domains. The operations team must streamline these repetitive tasks. Which orchestration tool must be used to meet this requirement?

Options:

- A- Cisco ACI Multisite Orchestrator
- B- Cisco DAN Center
- C- Cisco UCS Director
- D- Cisco UCS Manager

Answer:

C



To Get Premium Files for 300-610 Visit

<https://www.p2pexams.com/products/300-610>

For More Free Questions Visit

<https://www.p2pexams.com/cisco/pdf/300-610>

20%
DISCOUNT

P2P
exams