



Free Questions for 300-815 by dumpshq

Shared by Morgan on 07-06-2022

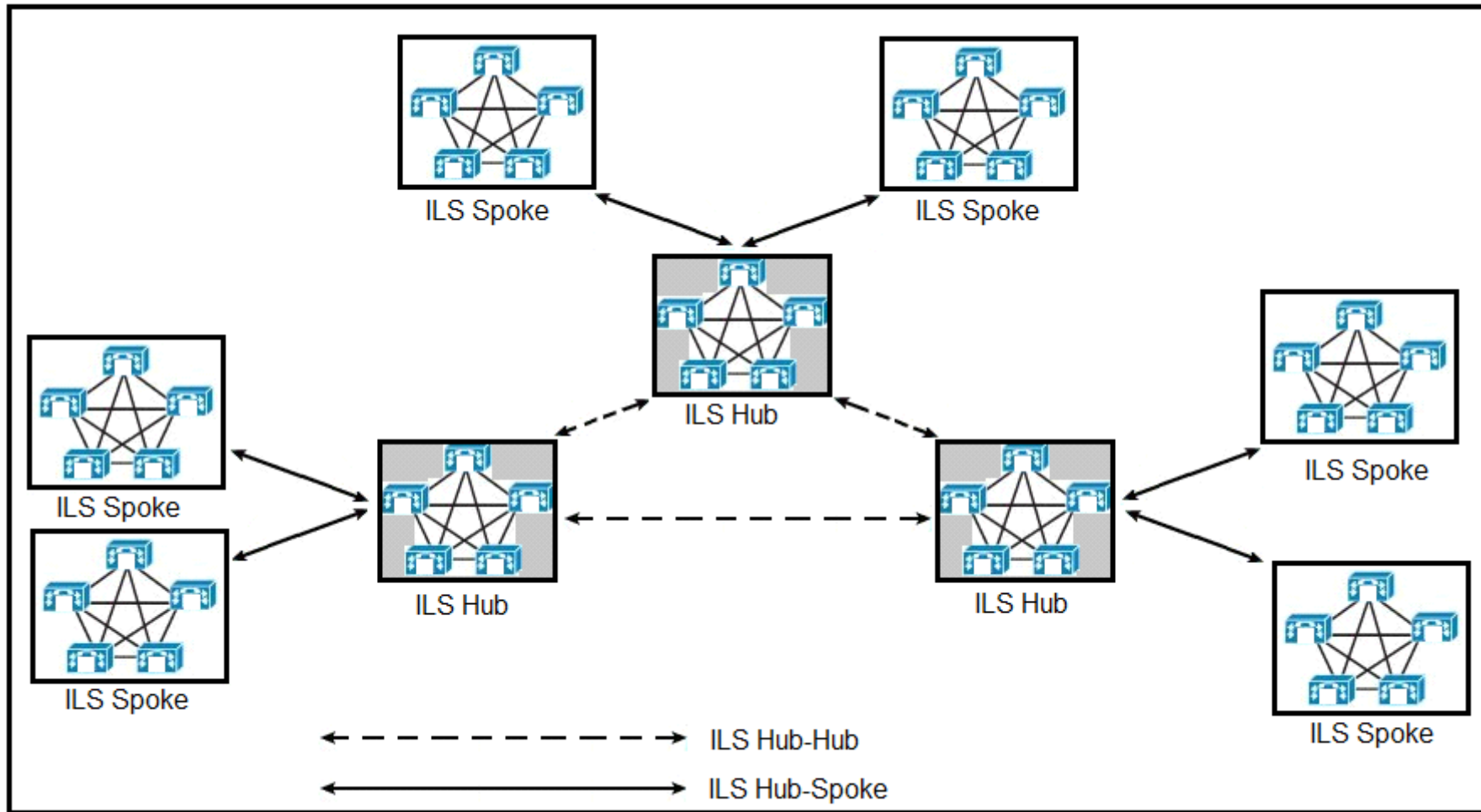
For More Free Questions and Preparation Resources

Check the Links on Last Page

Question 1

Question Type: MultipleChoice

Refer to the exhibit.



How many maximum hops can an ILS update traverse?

Options:

- A) 3
- B) 6
- C) 9
- D) 12

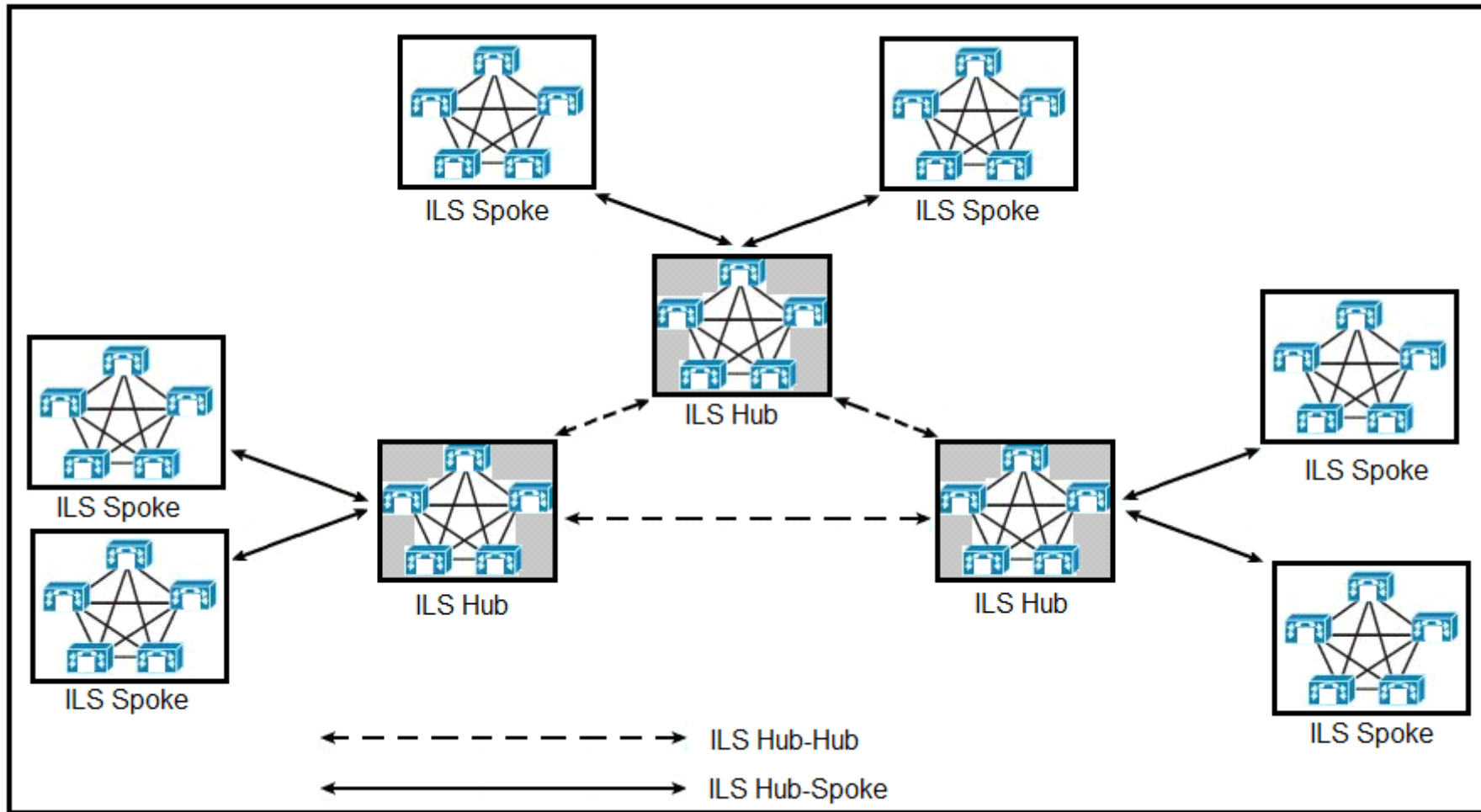
Answer:

A

Question 2

Question Type: MultipleChoice

Refer to the exhibit.



How many maximum hops can an ILS update traverse?

Options:

- A) 3
- B) 6
- C) 9
- D) 12

Answer:

A

To Get Premium Files for 300-815 Visit

<https://www.p2pexams.com/products/300-815>

For More Free Questions Visit

<https://www.p2pexams.com/cisco/pdf/300-815>

