



**Free Questions for [DEA-5TT1](#) by [dumpshq](#)**

**Shared by [Morales](#) on [29-01-2024](#)**

**For More Free Questions and Preparation Resources**

**[Check the Links on Last Page](#)**

## Question 1

---

**Question Type:** MultipleChoice

---

How many total addresses for network, broadcast, and host are provided with the subnet mask 255.255.255.240?

**Options:**

---

- A- 8
- B- 16
- C- 24
- D- 48

**Answer:**

---

B

## Question 2

---

**Question Type:** MultipleChoice

---

A network administrator is troubleshooting an OSPF routing issue. There are two paths to a destination network from one switch. In addition, one path is comprised of four 1 Gb links. The other path is comprised of two 1 Gb and two 100 Mb links. The administrator ran several trace routes and notices that the packets are swapping back and forth between the two paths.

Which corrective action must be taken on the switch infrastructure to correct this issue?

**Options:**

---

- A- Manually specify the OSPF Router ID on each switch within the path.
- B- Break the paths into multiple OSPF areas.
- C- Change the reference speed used by OSPF in cost calculations on all switches within the path.
- D- Switch all routing protocols to RIPv2.

**Answer:**

---

C

## Question 3

---

**Question Type:** MultipleChoice

---

When configuring a switch, which CLI mode only supports limited show commands?

**Options:**

---

- A- EXEC
- B- Maintenance
- C- Configuration
- D- EXEC Privilege

**Answer:**

---

A

**Explanation:**

---

[https://www.dell.com/support/manuals/us/en/04/poweredge-fx2/dell%20fn%20ioa%20config\\_9.8.0.0\\_pub-v1/cli-modes?guid=guid-aeb7d44d-2413-4da8-b8b9-2f8a26bad435&lang=en-us](https://www.dell.com/support/manuals/us/en/04/poweredge-fx2/dell%20fn%20ioa%20config_9.8.0.0_pub-v1/cli-modes?guid=guid-aeb7d44d-2413-4da8-b8b9-2f8a26bad435&lang=en-us)

## Question 4

---

**Question Type: MultipleChoice**

---

Which component translates data, signaling, and protocols to facilitate the data flow between the end device and the network?

**Options:**

---

- A- Switch
- B- Transceiver
- C- NIC
- D- Port

**Answer:**

---

B

## Question 5

---

**Question Type: MultipleChoice**

---

Which port type should be used for only VLAN-unaware devices?

**Options:**

---

- A- Access port
- B- General port
- C- Hybrid port
- D- Trunk port

**Answer:**

---

C

## Question 6

---

**Question Type: MultipleChoice**

---

What is the default OSPF "hello interval"?

**Options:**

---

- A- 5 seconds

- B- 10 seconds
- C- 15 seconds
- D- 30 seconds

**Answer:**

---

B

## Question 7

---

**Question Type:** MultipleChoice

---

What is the aggregated lanes' maximum speed rating for a QSFP28 transceiver?

**Options:**

---

- A- 4 Gbps
- B- 40 Gbps
- C- 112 Gbps
- D- 128 Gbps

**Answer:**

---

C

## Question 8

---

**Question Type:** MultipleChoice

---

On which Dell EMC Networking switches can Multi-Chassis Link Aggregation (MLAG) be configured?

**Options:**

---

**A-** C9000 Series

**B-** N-Series

**C-** S-Series

**D-** Z-Series

**Answer:**

---

B



## Question 9

---

### Question Type: MultipleChoice

---

You recently joined a company as a junior-level network administrator. You have been tasked with designing the IPv4 scheme for five networks that will be used for training classrooms. These networks need to support no more than 28 devices each. Due to the existing network design, the senior-level network administrator has asked you to work on network 192.168.40.0/24.

If all networks must be made to logically start with the lowest numbered network and end with the largest numbered network, what is the network ID for the third network?

### Options:

---

- A- 192.168.40.32/27
- B- 192.168.40.64/27
- C- 192.168.40.96/27
- D- 192.168.40.128/27

### Answer:

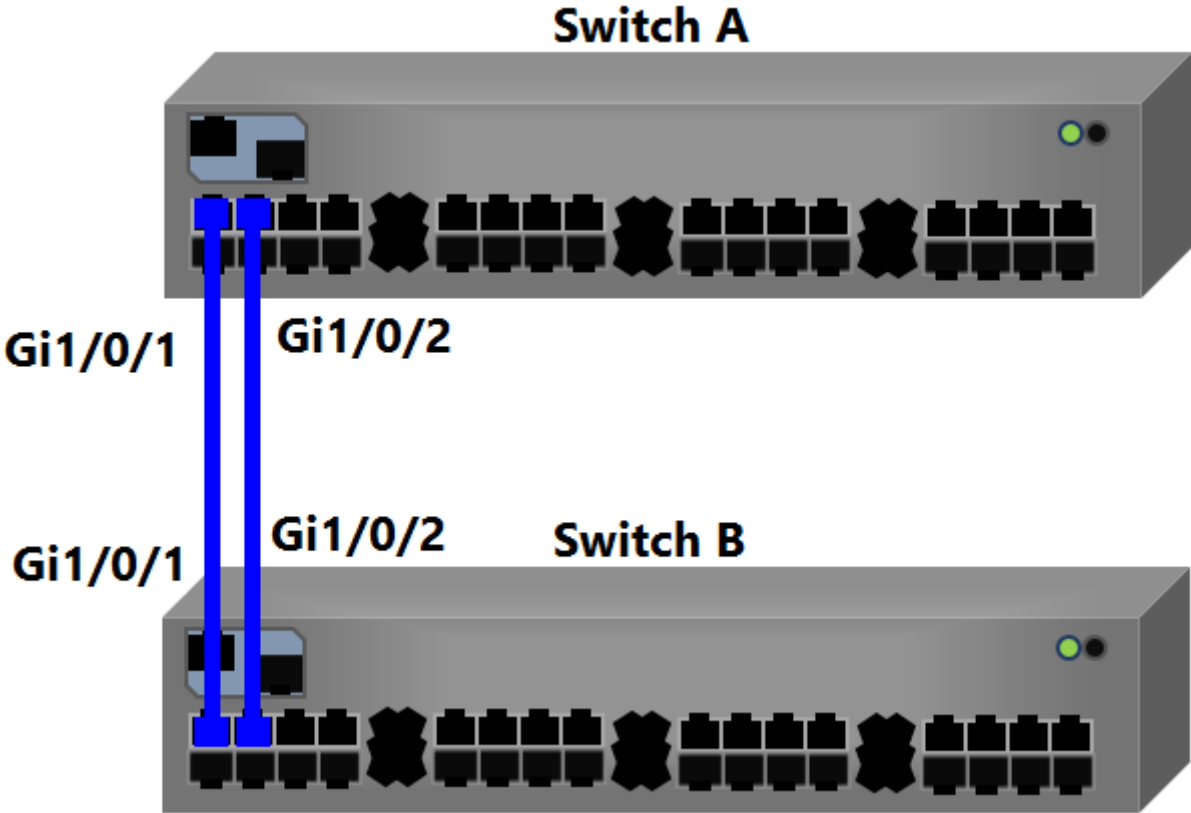
---

B

# Question 10

Question Type: MultipleChoice

Refer to the exhibit.



Switch A and Switch B are connected to each other. Both switches use interfaces Gi1/0/1 and Gi1/0/2. Switch A has a Spanning Tree priority of 8192 and Switch B has the default priority. Which interface becomes the root port?

**Options:**

---

**A-** Switch A Gi1/0/1

**B-** Switch A Gi1/0/2

**C-** Switch B Gi1/0/1

**D-** Switch B Gi1/0/2

**Answer:**

---

A

**To Get Premium Files for DEA-5TT1 Visit**

**<https://www.p2pexams.com/products/dea-5tt1>**

**For More Free Questions Visit**

**<https://www.p2pexams.com/dell-emc/pdf/dea-5tt1>**

