



Free Questions for [DEA-5TT2](#) by [dumpsheet](#)

Shared by [Keith](#) on [15-04-2024](#)

For More Free Questions and Preparation Resources

[Check the Links on Last Page](#)

Question 1

Question Type: MultipleChoice

When configuring a switch, which CLI mode only supports limited show commands?

Options:

- A- EXEC
- B- Maintenance
- C- Configuration
- D- EXEC Privilege

Answer:

A

Question 2

Question Type: MultipleChoice

Which component translates data, signaling, and protocols to facilitate the data flow between the end device and the network?

Options:

A- Switch

B- Transceiver

C- NIC

D- Port

Answer:

B

Question 3

Question Type: MultipleChoice

Which port type should be used for only VLAN-unaware devices?

Options:

- A- Access port
- B- General port
- C- Hybrid port
- D- Trunk port

Answer:

C

Question 4

Question Type: MultipleChoice

What is the default OSPF "hello interval"?

Options:

- A- 5 seconds

- B- 10 seconds
- C- 15 seconds
- D- 30 seconds

Answer:

B

Question 5

Question Type: MultipleChoice

What is the aggregated lanes' maximum speed rating for a QSFP28 transceiver?

Options:

- A- 4 Gbps
- B- 40 Gbps
- C- 112 Gbps
- D- 128 Gbps

Answer:

C

Question 6

Question Type: MultipleChoice

On which Dell EMC Networking switches can Multi-Chassis Link Aggregation (MLAG) be configured?

Options:

A- C9000 Series

B- N-Series

C- S-Series

D- Z-Series

Answer:

B

Question 7

Question Type: MultipleChoice

You recently joined a company as a junior-level network administrator. You have been tasked with designing the IPv4 scheme for five networks that will be used for training classrooms. These networks need to support no more than 28 devices each. Due to the existing network design, the senior-level network administrator has asked you to work on network 192.168.40.0/24.

If all networks must be made to logically start with the lowest numbered network and end with the largest numbered network, what is the network ID for the third network?

Options:

- A- 192.168.40.32/27
- B- 192.168.40.64/27
- C- 192.168.40.96/27
- D- 192.168.40.128/27

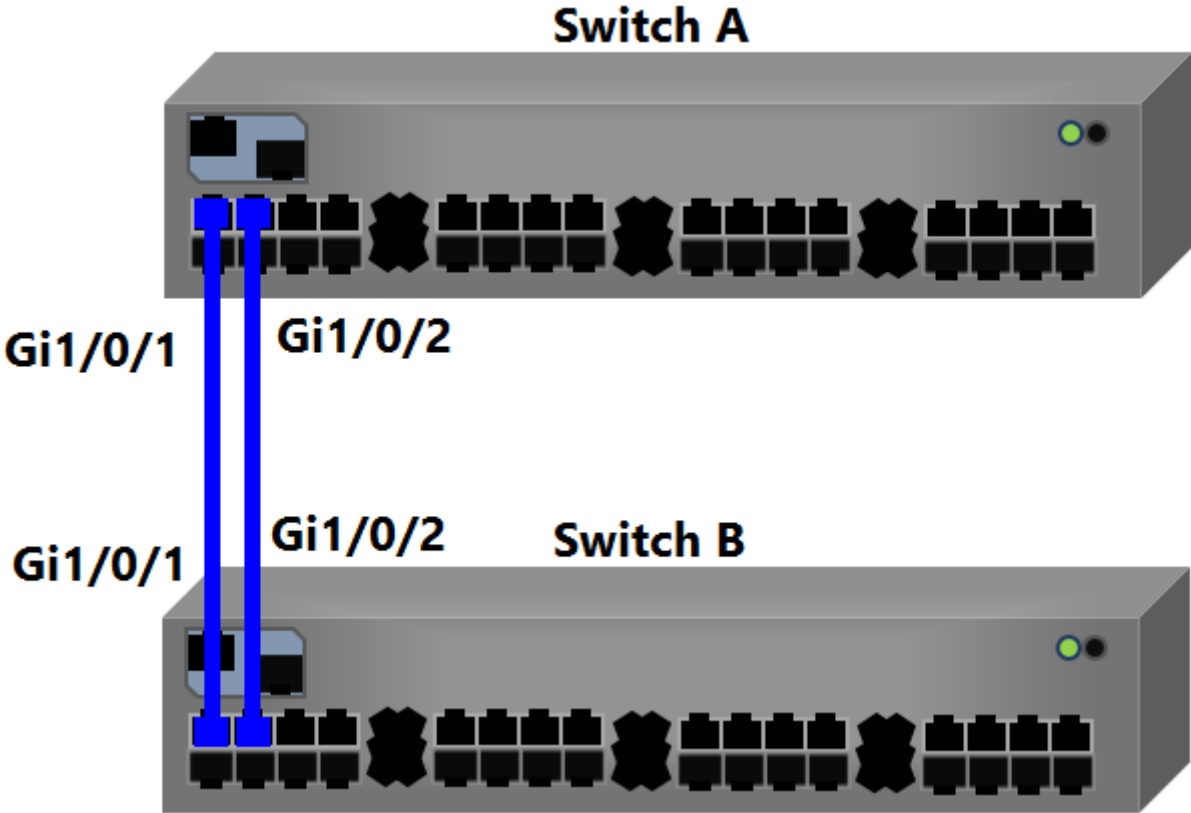
Answer:

B

Question 8

Question Type: MultipleChoice

Refer to the exhibit.



Switch A and Switch B are connected to each other. Both switches use interfaces Gi1/0/1 and Gi1/0/2. Switch A has a Spanning Tree priority of 8192 and Switch B has the default priority. Which interface becomes the root port?

Options:

A- Switch A Gi1/0/1

B- Switch A Gi1/0/2

C- Switch B Gi1/0/1

D- Switch B Gi1/0/2

Answer:

A

Question 9

Question Type: MultipleChoice

What are the Protocol Data Units (PDUs) called at the Transport layer?

Options:

- A- Data Payload
- B- Frame
- C- Segment
- D- Packets

Answer:

C

Question 10

Question Type: DragDrop

What is the correct sequence of steps that occur in the communications between the client and server to obtain an IP address from a DHCP server?

DHCP client sends a DHCPREQUEST message to accept the offered IP address

Step 1

Answer:

DHCP client sends a DHCPDISCOVER message to request an available IP address

Step 2

A DHCPACK message is sent by the DHCP server to the DHCP client to acknowledge that the client has accepted the offered IP address

Step 3

Question 11

Question Type: MultipleChoice

DHCP server receives the DHCPDISCOVER message

Step 4

A network administrator created three VLANs on an Ethernet switch. How many broadcast domains are created by the switch?
DHCP server offers an available IP address by sending a DHCP OFFER message to the DHCP client

Step 5

Options:

A- 1

B- 2

C- 3

D- 4

Answer:

C

Question 12

Question Type: MultipleChoice

Which BASE-T Ethernet standard specifies a CAT6 cable type?

Options:

- A- 2.5GBASE-T
- B- 5GBASE-T
- C- 10BASE-T
- D- 10GBASE-T

Answer:

D

To Get Premium Files for DEA-5TT2 Visit

<https://www.p2pexams.com/products/dea-5tt2>

For More Free Questions Visit

<https://www.p2pexams.com/dell-emc/pdf/dea-5tt2>

