



Free Questions for [DES-1721](#) by [go4braindumps](#)

Shared by [Carpenter](#) on [29-01-2024](#)

For More Free Questions and Preparation Resources

[Check the Links on Last Page](#)

Question 1

Question Type: MultipleChoice

You just finished racking a SC7020 array. After powering it on, you notice there is no indicator LED on the front or back of the array, but the fans are spinning.

What could be the cause?

Options:

- A- 220VAC is being used. The system is preventing a fire hazard
- B- Controllers are misplaced. Swap the position of the controllers
- C- 110VAC is being used on the power mains
- D- The SC is overheated; let it cool down

Answer:

C

Question 2

Question Type: MultipleChoice

Which user type can create and map volumes using servers and disk folders that have already been created?

Options:

A- FSE

B- Root

C- Reporter

D- Volume Manager

Answer:

D

Question 3

Question Type: MultipleChoice

What is the maximum number of Fault Domains on a SCv3000 Storage Center using SAS front-end?

Options:

A- 1

B- 2

C- 3

D- 4

Answer:

D

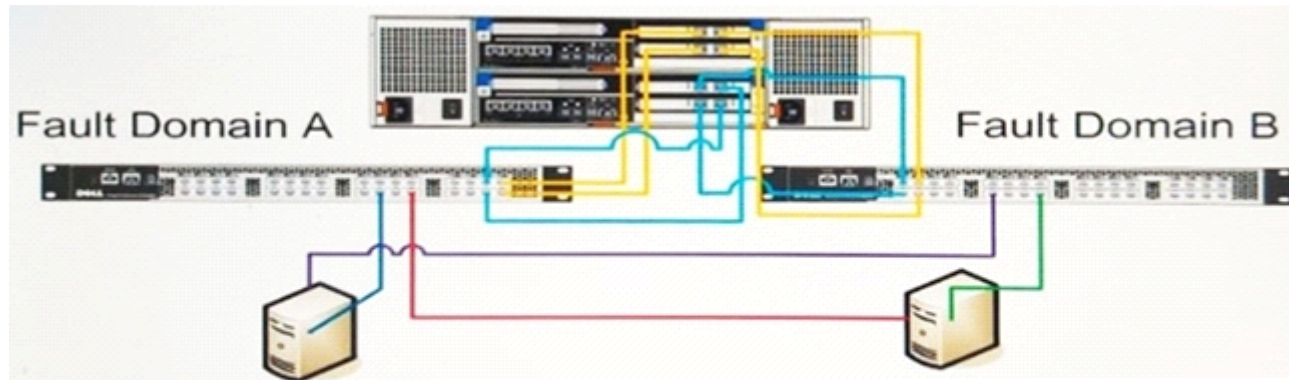
Explanation:

<https://www.dell.com/support/manuals/us/en/04/storage-scv3000/scv3000-scv3020-dg/fault-domains-for-scv3000-series-storage-systems?guid=guid-bc3640b7-c0b1-46bf-a95a-970e2a3f9abf&lang=en-us>

Question 4

Question Type: MultipleChoice

Refer to the exhibit.



Server 1
HBA 1: c0:50:76:09:cd:f6:00:04
HBA 2: c0:50:76:09:cd:f6:00:08

Server 2
HBA 1: c0:50:76:09:cd:f6:00:06
HBA 2: c0:50:76:09:cd:f6:00:0a

The servers are zoned to best practices. The output of the switch is shown below:

```
switch:admin> zoneshow
zoneset Cool_vsan_20
Zone_A
c0:50:76:09:cd:f6:00:06
50:00:d3:10:00:ea:60:95
50:00:d3:10:00:ea:60:96
50:00:d3:10:00:ea:60:97
50:00:d3:10:00:ea:60:98

Zone_B
50:00:d3:10:00:ea:60:95
50:00:d3:10:00:ea:60:96
50:00:d3:10:00:ea:60:97
50:00:d3:10:00:ea:60:98
c0:50:76:09:cd:f6:00:0a

Zone_C
50:00:d3:10:00:ea:60:95
50:00:d3:10:00:ea:60:96
50:00:d3:10:00:ea:60:97
50:00:d3:10:00:ea:60:98

Zone_D
50:00:d3:10:00:ea:60:94
50:00:d3:10:00:ea:60:92
50:00:d3:10:00:ea:60:93
50:00:d3:10:00:ea:60:91
```

Which is the Physical Zone of Fault Domain B?

Options:

A- Zone_A

B- Zone_C

C- Zone_D

D- Zone_B

Answer:

D

Question 5

Question Type: MultipleChoice

A user wants to create a custom snapshot profile for a volume however they cannot. Why?

Options:

A- User is logged into Remote Data Collector

B- User cannot change the Snapshot Profile of a Volume once is created and mapped to a server

C- User must set SC user preferences to allow Snapshot Profiles to be selected when creating volumes

D- User is logged in as Volume Manager

Answer:

A

Question 6

Question Type: DragDrop

Match the Snapshot type with the description related to Snapshot creation.

Type:

Description:

Answer: VMware Snapshot	Replay Manager uses VSS to halt IO for associated volumes when creating a snapshot
Explanation: Standard Snapshot	Halts all IO to associated volumes when creating a snapshot
https://www.dell.com/storagehelp/dellstoragedeclient/2016R2/en-us/GUID-DDFF60E6-30F1-4CBE-9176-3B12C4249CCF.html	
SQL or Exchange Snapshot	Takes snapshots in series for associated volumes when creating a snapshot
Question 7 Parallel Snapshot	Takes snapshots simultaneously for associated volumes when creating a snapshot
Question Type: MultipleChoice	
What is the maximum number of drives per chain supported by an SC9000 storage array?	DSITV instructs Data Instant Replay to take a snapshot of the Dell SC volume

Options:

- A- 168
- B- 192

C- 512

D- 1024

Answer:

D

Explanation:

<https://www.dell.com/en-us/work/shop/povw/storage-sc9000>

Question 8

Question Type: MultipleChoice

What does Compression use to reduce data space?

Options:

- A- Ocarina's proprietary Algorithm
- B- Duplicate page identification
- C- On Demand Data Progression
- D- Audit cycles

Answer:

A

Explanation:

<https://storageioblog.com/data-footprint-reduction-part-2-dell-ibm-ocarina-and-storwize/>

To Get Premium Files for DES-1721 Visit

<https://www.p2pexams.com/products/des-1721>

For More Free Questions Visit

<https://www.p2pexams.com/dell-emc/pdf/des-1721>

