



Free Questions for DES-5121 by dumpshq

Shared by Guthrie on 06-06-2022

For More Free Questions and Preparation Resources

Check the Links on Last Page

Question 1

Question Type: MultipleChoice

How many untagged VLANs are allowed on a switchport mode trunk interface?

Options:

A- 0

B- 1

C- 128

D- 4096

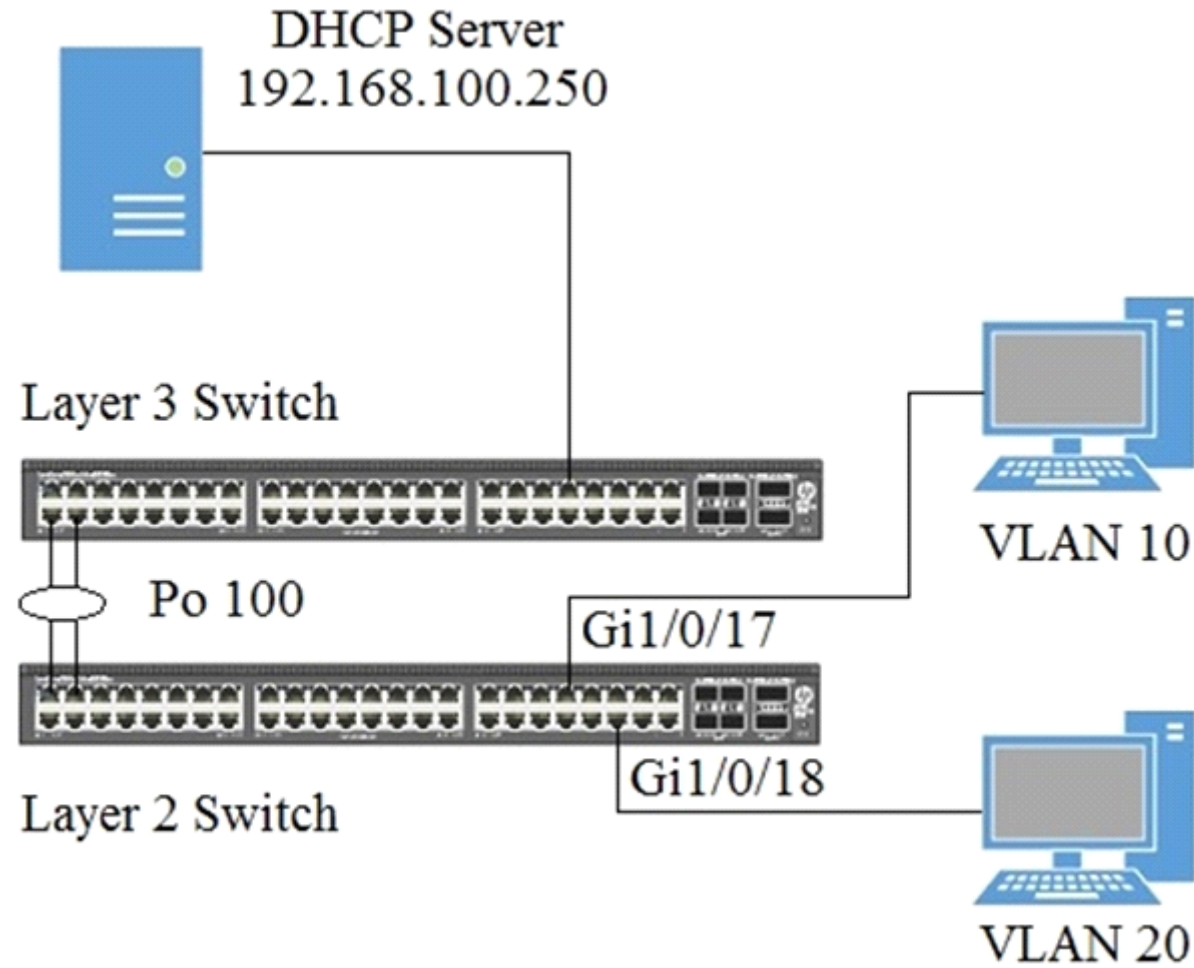
Answer:

B

Question 2

Question Type: MultipleChoice

Based on the exhibit,



which configuration on interface Gi1/0/18 will allow the DHCP request to reach the DHCP server for the specified VLAN?

Options:

A- Configuration A:

```
console(config-if-Gi1/0/18)# switchport mode general console(config-if-Gi1/0/18)# switchport general pvid 20
console(config-if-Gi1/0/18)# switchport general allowed vlan add 20 console(config-if-Gi1/0/18)# switchport general allowed vlan remove
1
```

B- Configuration B:

```
console(config-if-Gi1/0/18)# switchport access vlan 10 console(config-if-Gi1/0/18)# service-policy in dhcp_250 console(config-if-
Gi1/0/18)# switchport general allowed vlan add 20
console(config-if-Gi1/0/18)# switchport general allowed vlan remove 1
```

C- Configuration C:

```
console(config-if-Gi1/0/18)# switchport access vlan 10 console(config-if-Gi1/0/18)# ip dhcp snooping trust
console(config-if-Gi1/0/18)# switchport general allowed vlan add 20 console(config-if-Gi1/0/18)# switchport general allowed vlan remove
1
```

D- Configuration D:

```
console(config-if-Gi1/0/18)# channel-group 100 mode active console(config-if-Gi1/0/18)# switchport access vlan 250 console(config-if-
Gi1/0/18)# switchport general allowed vlan add 20 console(config-if-Gi1/0/18)# switchport general allowed vlan remove 1
```

Answer:

A

Question 3

Question Type: MultipleChoice

Refer to the Exhibit.

```
Switch-1(config)# radius server host 10.1.1.111
```

```
Switch-1(config-radius)# key "secretkey"
```

```
Switch-1(config-radius)# exit
```

```
Switch-1(config)# aaa authentication login "LOCAL-AUTH" local
```

```
Switch-1(config)# aaa authentication login "REMOTE-AUTH" radius local
```

```
Switch-1(config)# aaa authentication enable "REMOTE-AUTH" radius enable
```

```
Switch-1(config)# aaa authentication login default tacacs local
```

```
Switch-1(config)# aaa authentication enable default tacacs enable
```

```
Switch-1(config)# line telnet
```

```
Switch-1(config-telnet)# login authentication "REMOTE-AUTH"
```

```
Switch-1(config-telnet)# exit
```

```
Switch-1(config)# line ssh
```

```
Switch-1(config-ssh)# login authentication default
```

```
Switch-1(config)# exit
```

```
Switch-1(config)# line console
```

```
Switch-1(config-line)# login authentication "LOCAL-AUTH"
```

```
Switch-1(config-line)# exit
```

Which authentication method will be used if a user tries to log into the switch when accessing through SSH?

Options:

A- RADIUS, then fails over to a local user account

B- Local user account

C- TACACS, then fails over to a local user account

D- None

Answer:

C

Question 4

Question Type: MultipleChoice

Which spanning tree feature will prevent unnecessary timeouts from DHCP servers?

Options:

- A- PortFast
- B- Loop Guard
- C- BPDU Flooding
- D- Root Guard

Answer:

A

Explanation:

<https://www.dell.com/community/Networking-General/Advice-on-basic-STP-and-network-design/td-p/4434346>

Question 5

Question Type: MultipleChoice

Which packet characteristics can policy-based routing be configured to match against?

Options:

- A- TTL, TCP Port, and L3 Packet Length
- B- L3 Packet Length, TTL, and 802.1p Priority
- C- TCP Port, L3 Packet Length, and 802.1p Priority
- D- TCP Port, TTL, and 802.1p Priority

Answer:

C

Question 6

Question Type: MultipleChoice

How does the weighted Queue Scheduler prioritize packets?

Options:

- A- Scheduler prioritizes weighted queues over any strict queues
- B- Weights are calculated based on the number of packets
- C- Weights are used to calculate the number of bytes
- D- Weight is assigned to each port

Answer:

C

Explanation:

<https://infohub.delltechnologies.com/static/media/6582046d-70f0-4ab6-ba72-2c0b9cf26649.pdf> page 6

Question 7

Question Type: MultipleChoice

A network administrator wants to configure an ACL to deny traffic for a specific source IP and source UDP port.

Which type of ACL should be used?

Options:

- A- Layer 2 Standard ACL
- B- Layer 2 Extended ACL
- C- Layer 3 Standard ACL
- D- Layer 3 Extended ACL

Answer:

D

Question 8

Question Type: MultipleChoice

In order to alter a packet's routing direction, which packet layers can policy-based routing use?

Options:

- A- Transport, Network, Link Layer, and Physical
- B- Link Layer, Physical, Presentation, and Session
- C- Network, Link Layer, Physical, and Session
- D- Application, Transport, Network, and Link Layer

Answer:

A

Question 9

Question Type: MultipleChoice

N4032F#show interfaces status

Port	Description	Duplex	Speed	Neg	Link State	Flow Ctrl	M	VLAN
Te1/0/5		Full	1000	Auto	Up	Off	A	1
Te1/0/6		Full	1000	Auto	Up	Off	A	1

Port Channel	Description	Link State	M	VLAN
Pol		Up	A	1

N4032F#show interfaces port-channel 1

Channel	Ports	Ch-Type	Hash Type	Min-Links	Local Prf	Rx Util	Tx Util
Pol	Active: Te1/0/5, Te1/0/6	Dynamic	7	1	Disabled	0	0

Hash Algorithm Type

- 1 - Source MAC, VLAN, EtherType, source module and port Id
- 2 - Destination MAC, VLAN, EtherType, source module and port Id
- 3 - Source IP and source TCP/UDP port
- 4 - Destination IP and destination TCP/UDP port
- 5 - Source/Destination MAC, VLAN, EtherType, source MODID/port

6 - Source/Destination IP and source/destination TCP/UDP port

7 - Enhanced hashing mode

A network administrator has reported poor network performance to an application server. After reviewing the logs, you determine that the server is using 100 percent of the available bandwidth on its network port. As shown in the exhibit, you configure a second link and a 2-member port-channel to an application server in an effort to increase performance. However, during testing, the network performance has not improved.

What is a possible reason why there has been no increase in the performance?

Options:

- A- Application is using a single I/O flow
- B- File server needs to be configured with LACP
- C- Minimum links needs to be increased to '2'
- D- Port-channel needs load balancing enabled

Answer:

A

To Get Premium Files for DES-5121 Visit

<https://www.p2pexams.com/products/des-5121>

For More Free Questions Visit

<https://www.p2pexams.com/dell-emc/pdf/des-5121>

