



Free Questions for 300-630 by dumpssheet

Shared by Herrera on 15-04-2024

For More Free Questions and Preparation Resources

Check the Links on Last Page

Question 1

Question Type: MultipleChoice

A customer is deploying a new application across two ACI pods that is sensitive to latency and jitter. The application sets the DSCP values of packets to AF31 and CS6, respectively. Which configuration changes must be made on the APIC to support the new application and prevent packets from being delayed or dropped between pods?

Options:

- A- disable DSCP translation policy
- B- align the ACI QoS levels and IPN QoS policies
- C- disable DSCP mapping on the IPN devices
- D- align the custom QoS policy on the EPG site in the customer tenant

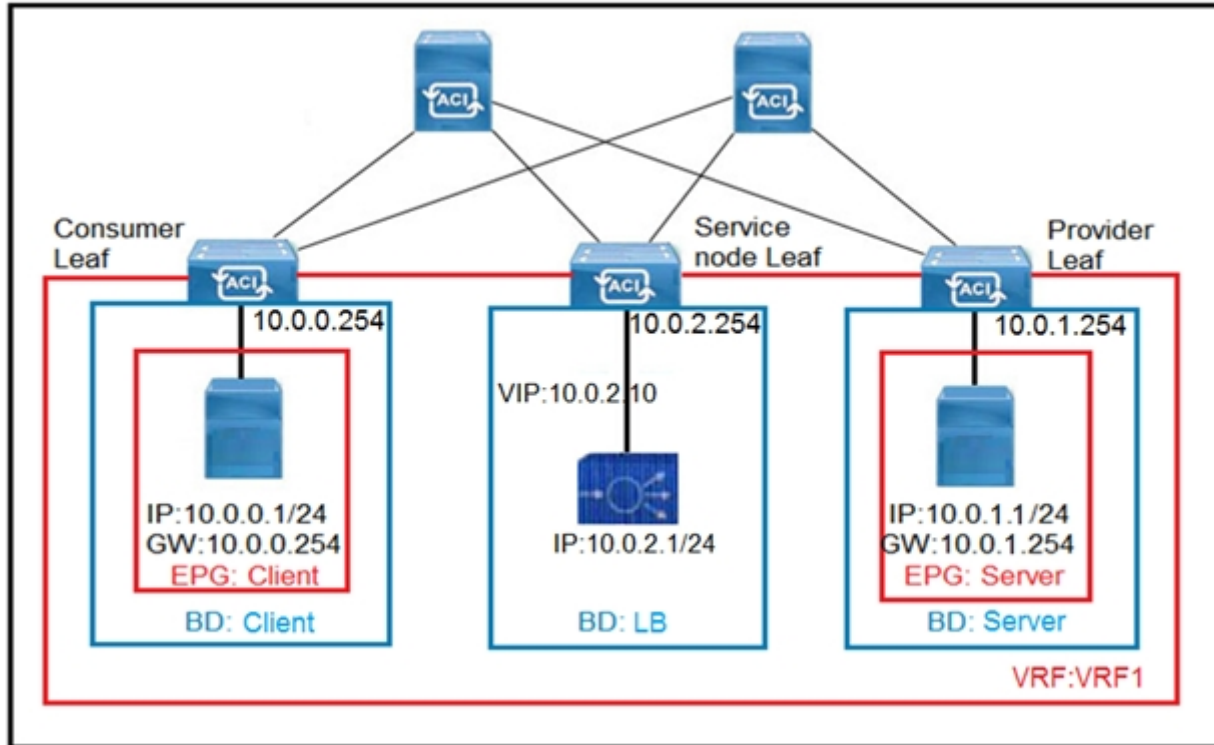
Answer:

D

Question 2

Question Type: MultipleChoice

Refer to the exhibit.



The client endpoint uses the load-balancer VIP as the destination address to send traffic to the server endpoint. If the load balancer does not do source NAT, which set of configurations must be applied on Cisco ACI to allow only the return traffic to be redirected to the service node?

Options:

A- Create a contract with a filter matching "IP" only Create a L4-L7 device, function type "GoTo"

Create a L4-L7 Policy-Based Redirect Policy with the L3 Destination set to the load-balancer inside IP/
MAC

Create a service graph template that references the previously created contract and L4-L7 device Apply the service graph template.
Select "L3 Destination" and reference L4-L7 Policy-Based Redirect Policy on the provider connector only

B- Create a contract linked to the common/default filter Create a L4-L7 device, function type "GoThrough"

Create a L4-L7 Policy-Based Redirect Policy with the L3 Destination set to the load-balancer inside IP/ MAC

Create a service graph template that references the previously created contract and L4-L7 device Apply the service graph template.
Select "L3 Destination" and reference L4-L7 Policy-Based Redirect Policy on the consumer and provider connector

C- Create a contract linked to the common/default filter Create a L4-L7 device, function type "GoTo"

Create a L4-L7 Policy-Based Redirect Policy with "Anycast Endpoint" enabled and the L3 Destination set to the load-balancer inside
IP/MAC

Create a service graph template that references the previously created contract and L4-L7 device Apply the service graph template.
Select "L3 Destination" and reference L4-L7 Policy-Based Redirect Policy on the consumer connector only

D- Create a contract with a filter matching "IP" only Create a L4-L7 device, function type "GoThrough"

Create a L4-L7 Policy-Based Redirect Policy with "Anycast Endpoint" enabled and the L3 Destination set to the load-balancer inside
IP/MAC

Create a service graph template that references the previously created contract and L4-L7 device Apply the service graph template.
Select "L3 Destination" and reference L4-L7 Policy-Based Redirect Policy on the consumer and provider

Answer:

D

Question 3

Question Type: MultipleChoice

An engineer created a Cisco ACI environment in which multiple tenants reuse the same contract. The requirement is to prevent inter-tenant communication. Which action meets this requirement?

Options:

- A- Create the contract in the user tenant with the scope set to VRF and exported to other tenants
- B- Create the contract in the common tenant with the scope set to Tenant
- C- Create the contract in the user tenant with the scope set to Global and exported to other tenants
- D- Create the contract in the common tenant with the scope set to Global

Answer:

B

Question 4

Question Type: MultipleChoice

Which feature should be disabled on a bridge domain when a default gateway for endpoints is on an external device instead of a Cisco ACI bridge domain SVI?

Options:

- A- unicast routing
- B- ARP flooding
- C- unknown unicast flooding
- D- proxy ARP

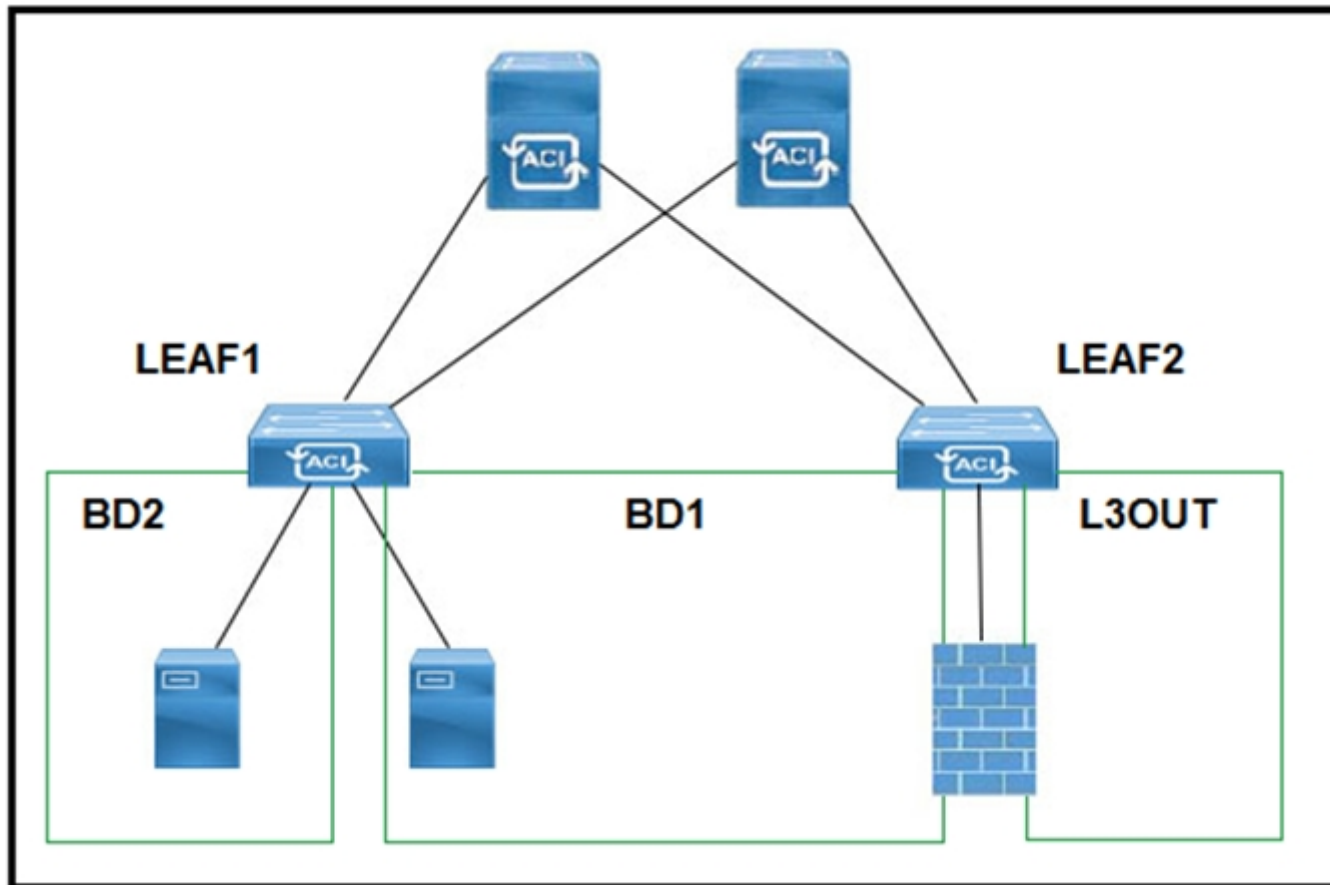
Answer:

C

Question 5

Question Type: MultipleChoice

Refer to the exhibit.



A customer experiences resource overconsumption on one of its border leaf switches. Which action should be taken to reduce the consumption on this switch?

Options:

- A- Disable VRF Policy Control Enforcement
- B- Disable IP Data Plane Learning
- C- Migrate L3Outs to another switch
- D- Disable Remote EP Learning

Answer:

B

Question 6

Question Type: MultipleChoice

A cloud provider must make a pair of firewalls available to all tenants. Each tenant defines its own service graph. Where should the Layer 4 to Layer 7 service be configured to accomplish this goal?

Options:

- A- management tenant
- B- infrastructure tenant

C- user tenant

D- common tenant

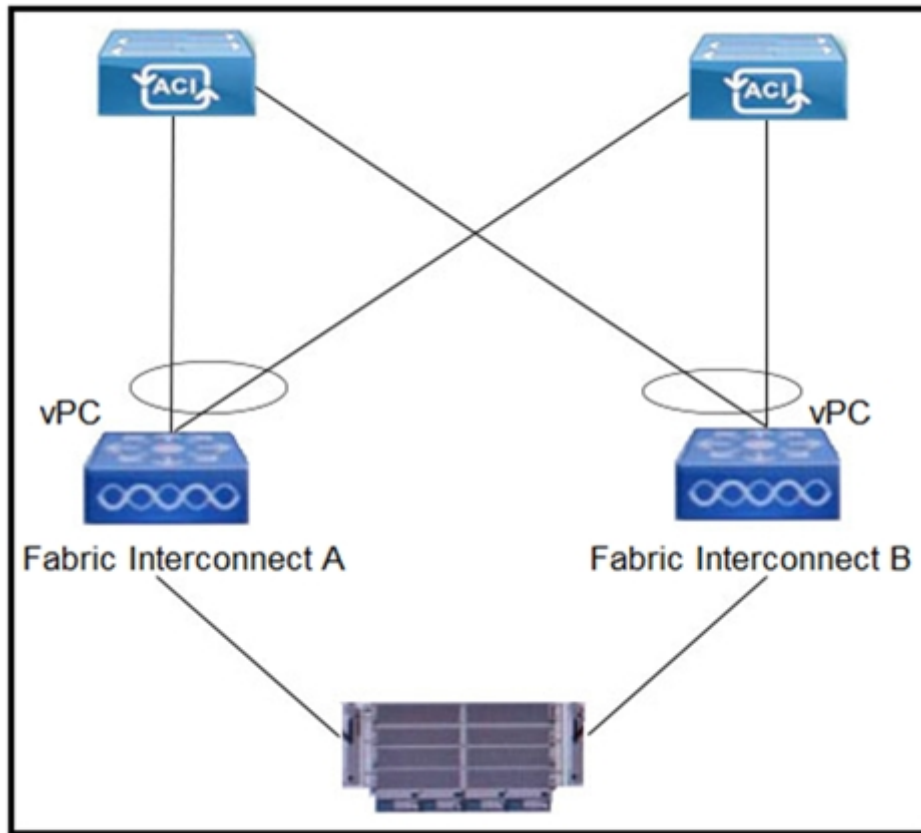
Answer:

C

Question 7

Question Type: MultipleChoice

Refer to the exhibit.



Which configuration mode must be selected for the VMM vSwitch Port Channel policy to avoid MAC flapping on the Cisco UCS FIs and Cisco ACI leaf switches?

Options:

A- LACP Passive

B- MAC Pinning

C- LACP Active

D- Static Channel -- Mode On

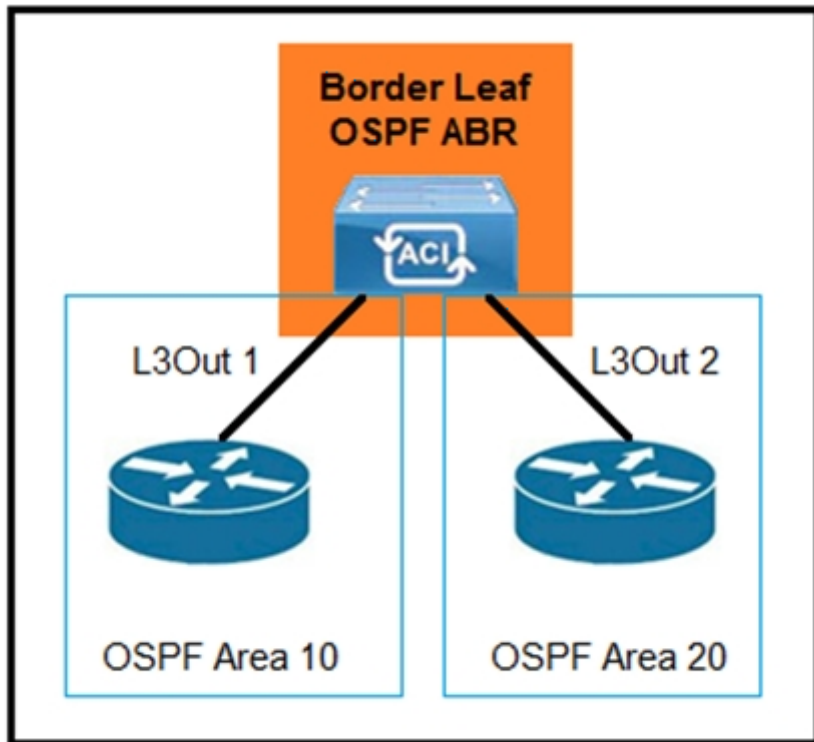
Answer:

B

Question 8

Question Type: MultipleChoice

Refer to the exhibit.



Which configuration must be implemented to allow intra-VRF transit routing between the two external routers?

Options:

- A-** Deploy both areas under the same L3Out policy
- B-** Change one of the areas to area 0

C- Configure OSPF virtual links

D- Modify L3Out 1 to use the same OSPF area as L3Out 2

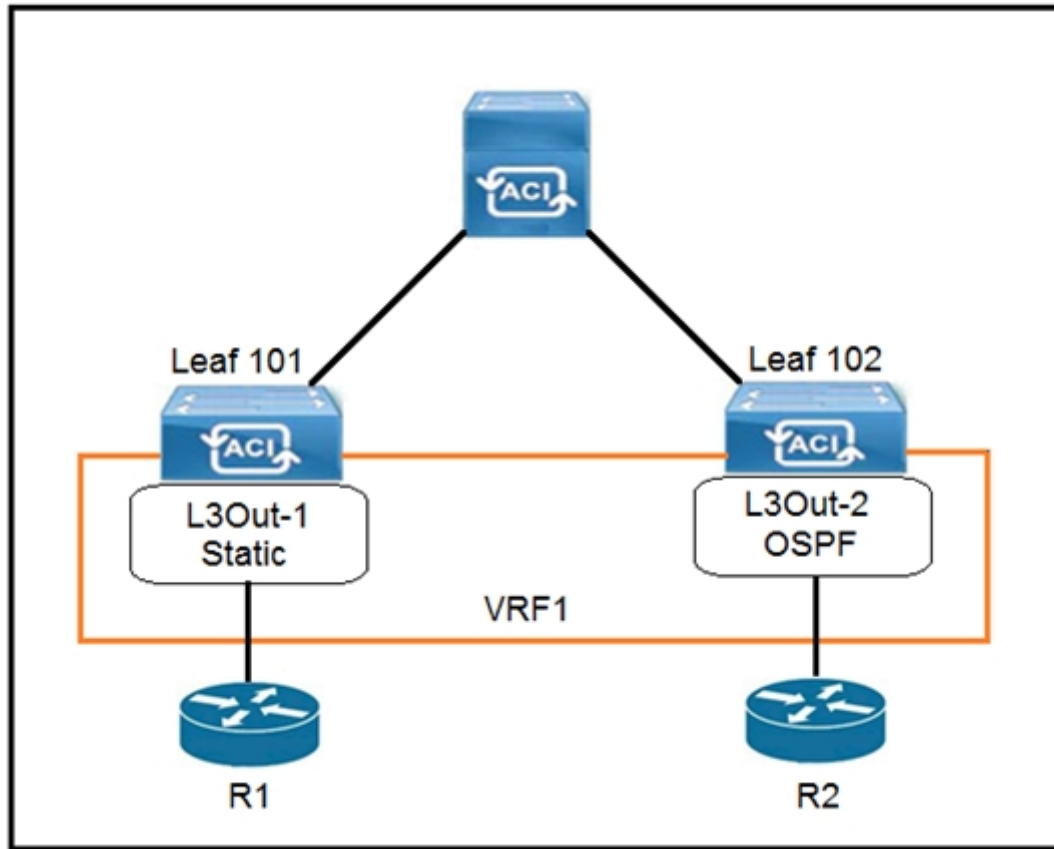
Answer:

A

Question 9

Question Type: MultipleChoice

Refer to the exhibit.



The 0.0.0.0/0 is configured as a default static route on L3Out-1. Which action should be taken for the 0.0.0.0/0 prefix to advertise out on L3Out-2 OSPF?

Options:

- A- Enable Shared Security Import Subnet
- B- Enable Aggregate Export Subnet
- C- Enable Shared Route Control Subnet
- D- Enable Export Route Control Subnet

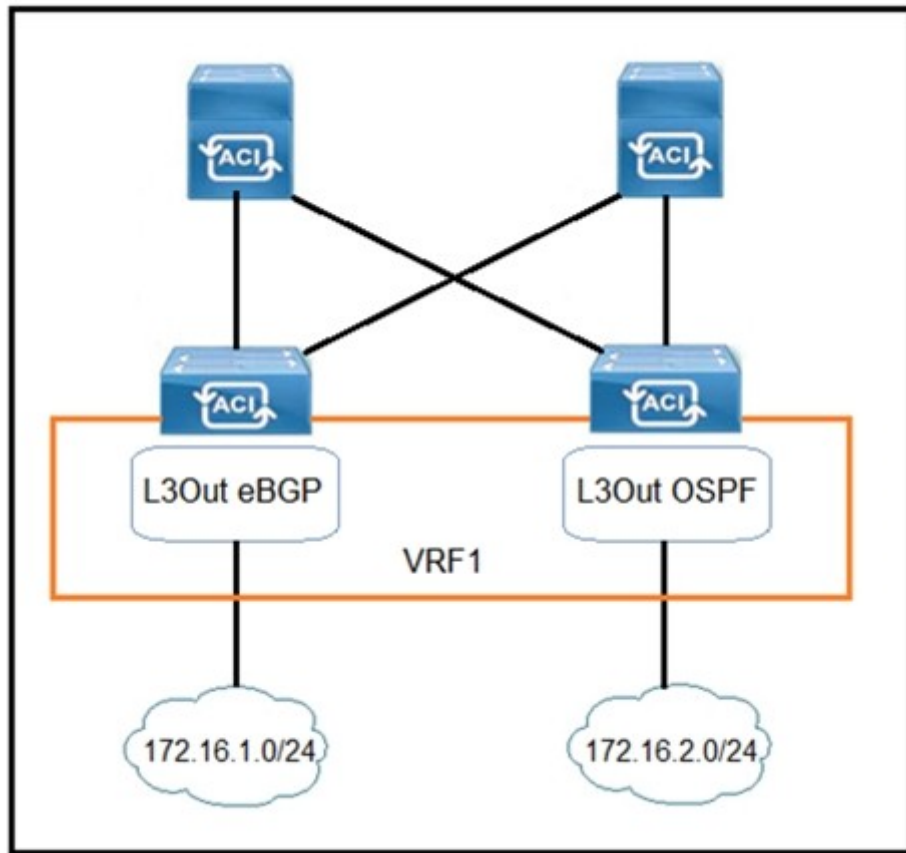
Answer:

B

Question 10

Question Type: MultipleChoice

Refer to the exhibit.



Which configuration must be implemented on L3Out EBGP to advertise out of the fabric 172.16.2.0/24 network that is learned from L3Out OSPF?

A.

Create Subnet

Specify the Subnet

IP Address:
address/mask

- scope:
- Export Route Control Subnet
 - Import Route Control Subnet
 - External Subnets for the External EPG
 - Shared Route Control Subnet
 - Shared Security Import Subnet

B.

Create Subnet

Specify the Subnet

IP Address:
address/mask

- scope:
- Export Route Control Subnet
 - Import Route Control Subnet
 - External Subnets for the External EPG
 - Shared Route Control Subnet
 - Shared Security Import Subnet

C.

Create Subnet
Specify the Subnet

IP Address:
address/mask

scope: Export Route Control Subnet
 Import Route Control Subnet
 External Subnets for the External EPG
 Shared Route Control Subnet
 Shared Security Import Subnet

D.

Create Subnet
Specify the Subnet

IP Address:
address/mask

scope: Export Route Control Subnet
 Import Route Control Subnet
 External Subnets for the External EPG
 Shared Route Control Subnet
 Shared Security Import Subnet

Options:

A- Option A

B- Option B

C- Option C

D- Option D

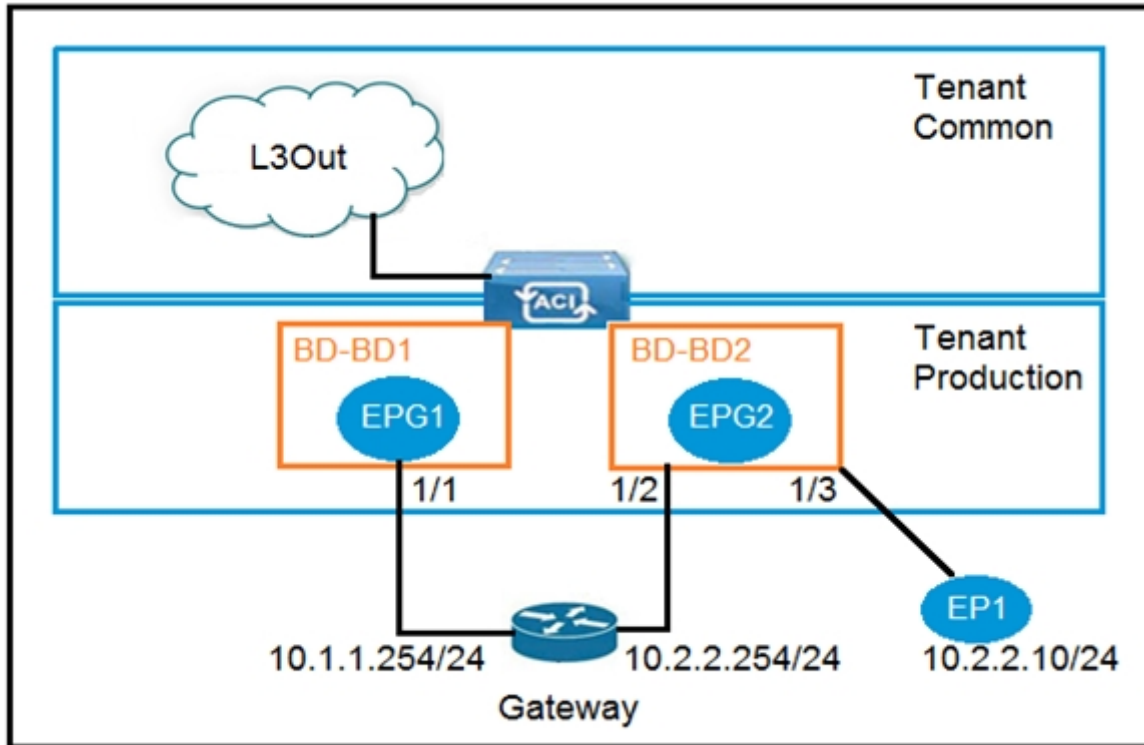
Answer:

A

Question 11

Question Type: MultipleChoice

Refer to the exhibit.



An engineer wants to avoid connectivity problems for the endpoint EP1 when it reaches an external L3Out network through the gateway 10.2.2.254/24. Which two configurations must be implemented in BD-BD2? (Choose two.)

Options:

- A- Disable unicast routing
- B- Enable IP data plane learning for the VRF

- C- Disable ARP flooding
- D- Enable ARP flooding
- E- Enable unicast routing

Answer:

A, C

To Get Premium Files for 300-630 Visit

<https://www.p2pexams.com/products/300-630>

For More Free Questions Visit

<https://www.p2pexams.com/cisco/pdf/300-630>

