



**Free Questions for E20-260 by dumpssheet**

**Shared by Dillard on 20-10-2022**

**For More Free Questions and Preparation Resources**

**Check the Links on Last Page**

## Question 1

---

**Question Type:** MultipleChoice

---

What is an EMC best practice for fault tolerance when zoning a VPLEX Metro together over Fibre Channel for successful communication between the sites?

### Options:

---

- A-** Zone each WAN-COM port to all WAN-COM ports in the other fabric.
- B-** Zone all WAN-COM ports to each other in both SAN fabrics within a single zone.
- C-** Zone each WAN-COM port to all WAN-COM ports in the other fabric.  
Zone one Local-COM port to all WAN-COM ports in the other fabric for VPLEX Witness.
- D-** Zone all WAN-COM ports to each other in both SAN fabrics within a single zone.  
Zone one Local-COM port to all WAN-COM ports in the other fabric for VPLEX Witness.

### Answer:

---

A

## Question 2

---

**Question Type: MultipleChoice**

---

How many management Ethernet connections exist between the management server and the engines?

**Options:**

---

A- 2

B- 4

C- 6

D- 8

**Answer:**

---

A

## Question 3

---

**Question Type: MultipleChoice**

---

Refer to the exhibit.



```
VPlexcli:/clusters/cluster-1/consistency-groups/DD_CG_2> ll
```

**Attributes:**

Name	Value
active-clusters	[]
cache-mode	synchronous
detach-rule	winner cluster-2 after 5s
operational-status	[(cluster-1,{ summary:: ok, details:: [] }), (cluster-2, summary:: ok, details:: [] )]
passive-clusters	[]
recoverpoint-enabled	false
storage-at-clusters	[cluster-1, cluster-2]
virtual-volumes	[DD_8_3_vol, DD_8_4_vol]
visibility	[cluster-1, cluster-2]

**Contexts:**

Name	Description
advanced	-
recoverpoint	-

```
VPlexcli:/clusters/cluster-1/consistency-groups/DD_CG_2> drill-down -o DD_8_3
```

```
virtual-volume: DD_8_3_vol (cluster-1)
```

```
distributed-device: DD_8_3
```

```
distributed-device-component: DD_7_3 (cluster-1)
```

```
extent: extent 6110841_0217_1
```

You have created a Distributed Device in a VPLEX Metro. You want to confirm you have chosen the correct volumes before performing a device mobility job within cluster-2. Which object will be the source for this operation?

**Options:**

---

- A- DD\_8\_32012Nov26\_183659
- B- extent\_Symm0841\_03A7\_1
- C- Symm0841\_03A7
- D- DD\_7\_3

**Answer:**

---

A

## Question 4

---

**Question Type: MultipleChoice**

---

Refer to the exhibit.

## System Status: EMC VPLEX™ Metro

Get a quick overall status and a summary of components in each cluster of your VPLEX™ Metro. [Learn more...](#)

The dashboard displays the operational status of two VPLEX Metro clusters. Each cluster is represented by a server rack icon and a summary box. The summary boxes for both clusters show identical component counts and statuses: 1 Storage View (OK), 4 Directors (OK), and 2 Arrays (OK). Below each cluster's summary, the operational status and status details are both marked as OK with green checkmarks, and a 'View Details' link is provided. At the bottom, the VPLEX Witness status is shown as 'enabled' with a green checkmark. A summary box below the witness status indicates that cluster-1 is 'in contact', cluster-2 is 'in contact', and the server is 'clusters in contact', with a 'View Details' link.

**cluster-1**

- Storage Views: 1 ✓ OK
- Directors: 4 ✓ OK
- Arrays: 2 ✓ OK

Operational Status: ✓  
Status Details: ✓  
[View Details](#)

**cluster-2**

- Storage Views: 1 ✓ OK
- Directors: 4 ✓ OK
- Arrays: 2 ✓ OK

Operational Status: ✓  
Status Details: ✓  
[View Details](#)

VPLEX Witness: ✓ enabled

- cluster-1:** ✓ in contact
- cluster-2:** ✓ in contact
- server:** ✓ clusters in contact

[View Details](#)

On which cluster is the GUI connected?

### Options:

---

A- Cluster-1

B- Cluster-2

C- Cluster IP alias

D- VPLEXCLI must be used to determine which cluster is supporting the GUI

**Answer:**

---

A

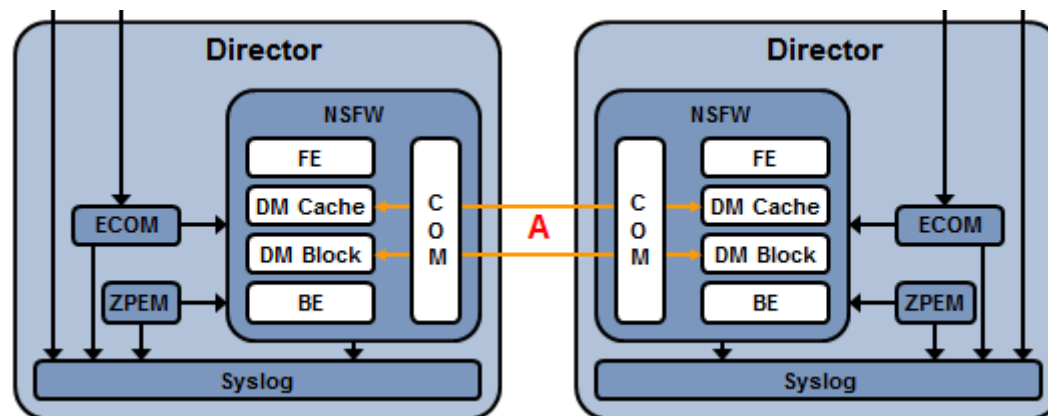
## Question 5

---

**Question Type:** MultipleChoice

---

Refer to the Exhibit.



Based on this diagram of a single VPLEX engine, which protocol is represented by "A"?



**Options:**

---

A- FC

B- IP

C- ISCSI

D- FCIP

**Answer:**

---

A

## Question 6

---

**Question Type:** MultipleChoice

---

Which is a best practice recommended for VPLEX Metro inter-cluster WAN settings?

**Options:**

---

- A- Always use the defaults
- B- Allow auto-negotiation to select the optimal transmission rate
- C- Always set the MTU to 9000
- D- Tune the network parameters according to the specifics of the configuration

**Answer:**

---

D

## Question 7

---

**Question Type:** MultipleChoice

---

Do virtual volumes need to be taken off-line prior to upgrading VPLEX software, and why or why not?

**Options:**

---

- A- Yes, to preserve data integrity
- B- Yes, because the host-based multi-pathing software provides direct access during the upgrade
- C- No, because VPLEX software can be upgraded non-disruptively

**D-** No, because the upgrading can be undone

**Answer:**

---

C

## Question 8

---

**Question Type: MultipleChoice**

---

You have added a new storage array to your environment, but VPLEX, does not see it. Which VPLEXcli command will display the new storage array?

**Options:**

---

- A-** clusters/cluster-/storage-elements/storage-arrays/array re-discover
- B-** /array claim -s
- C-** /clusters/cluster-//storage-elements/storage-arrays>array used-by-array
- D-** connectivity validate-be

**Answer:**

---

A

## Question 9

---

**Question Type:** MultipleChoice

---

In a VPLEX Metro with Witness, which command checks the status and uptime of VPN, and returns the remote VPLEX management IP address and the witness public IP address?

**Options:**

---

**A-** shell command `sudo /usr/sbin/ipsec statusall`

**B-** vplexcli command `cluster status`

**C-** shell command `/sbin/ifconfig`

**D-** vplexcli command `VPlexadmin show`

**Answer:**

---

A

## Question 10

---

**Question Type:** MultipleChoice

---

Click on the calculator in the upper left corner. You have a perpetual performance monitor running on director 1-1-A . The data being monitored is growing at a rate of 2 MB per minute. At the current data rate, how far back in time will this monitor be able to reach?

**Options:**

---

- A- 50 minutes
- B- 5 minutes
- C- 5 hours
- D- 50 hours

**Answer:**

---

A

## Question 11

---

**Question Type:** MultipleChoice

---

Which type of statistics are used to track latencies, determine median, mode, percentiles, minimums and maximums?

**Options:**

---

**A-** Buckets

**B-** Counters

**C-** Readings

**D-** Monitors

**Answer:**

---

A

**To Get Premium Files for E20-260 Visit**

**<https://www.p2pexams.com/products/e20-260>**

**For More Free Questions Visit**

**<https://www.p2pexams.com/dell-emc/pdf/e20-260>**

