



Free Questions for H12-261 by go4braindumps

Shared by Miranda on 15-04-2024

For More Free Questions and Preparation Resources

Check the Links on Last Page

Question 1

Question Type: MultipleChoice

Both IS-IS CSNPs and OSPF DD packets describe the brief information about link state databases in MA network.

Which of the following statements regarding the two types of packets is true?

Options:

- A-** After CSNPs and DD packets are received by the peer router, the peer router needs to send an acknowledgement message; otherwise, the packets need to be retransmitted.
- B-** Once the neighbor relationship is established, CSNPs and DD packets are not sent.
- C-** The master/slave relationship in OSPF DD packet exchange is not bound to DR/BDR; and CSNPs are generated only by the DIS.
- D-** After CSNPs and DD packets are received by the peer router, the peer router does not need to send an acknowledgment message.

Answer:

D

Question 2

Question Type: MultipleChoice

When a Layer 2 switch sends IP packets originating from one VLAN to another, which of the following fields is rewritten?

Options:

- A- Layer 3 TTL
- B- Layer 3 source IP address
- C- Layer 3 transport protocol
- D- Layer 2 TTL
- E- Layer 3 destination IP address

Answer:

A

Question 3

Question Type: MultipleChoice

On an OSPF broadcast network, four routers (RTA, RTB, RTC, and RTD) are deployed on the same network segment. The DR priorities of RTA, RTB, RTC, and RTD are 2, 1, 1, and 0 respectively, and router IDs are 192.168.1.1, 192.168.3.1, and 192.168.4.1 respectively.

Which router is selected as the BDR if OSPF is enabled on the four routers?

Options:

A- RTC

B- RTB

C- RTD

D- RTA

Answer:

A

Question 4

Question Type: MultipleChoice

A BGP connection goes down after being successfully set up.

What is not possible cause for this problem?

Options:

- A- Negotiation of parameters in Open packets fails.
- B- Mandatory attributes in Update packets are missing.
- C- Error BGP packets are received.
- D- After the BGP connection is set up, no Keepalive packet is received within the negotiated holdtime.

Answer:

B

Question 5

Question Type: MultipleChoice

Which of the following statements regarding IS-IS authentication are true?

Options:

- A-** After area authentication is configured on a router, IIH PDUs, SNPs, and LSPs sent by the router must carry an authentication TLV.
- B-** Interface authentication can authenticate Level-1 and Level-2 Hello PDUs.
- C-** After interface authentication is configured on a router, IIH PDUs sent by the router must carry an authentication TLV.
- D-** Two routers can establish a neighbor relationship when they are configured with area authentication and interface authentication, respectively, and are configured with the same authentication password.

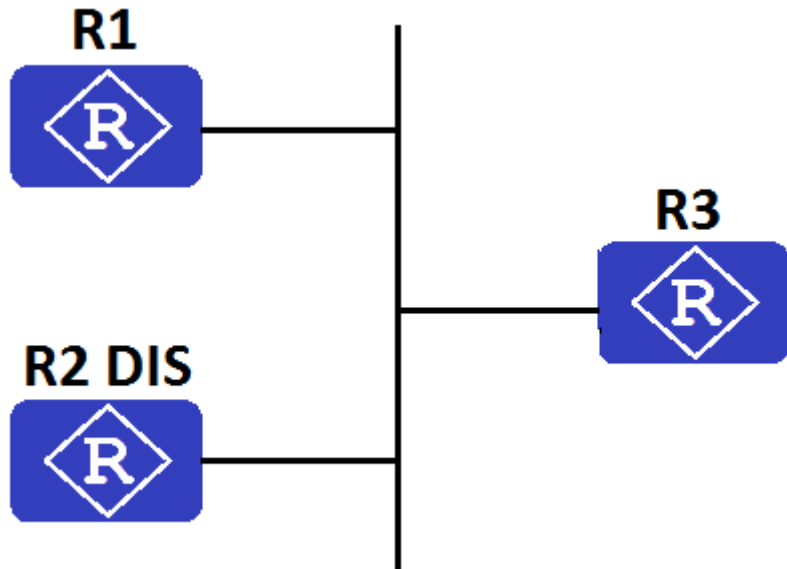
Answer:

D

Question 6

Question Type: MultipleChoice

Which of the following statements regarding LSDB synchronization on an IS-IS broadcast network is true?



Options:

- A- R2 functions as the DIS and sends Hello PDUs at an interval three times that of non-DIS routers.
- B- R2 functions as the DIS and does not receive PSNPs from other routers.
- C- R2 functions as the DIS and periodically sends CSNPs.
- D- R1 and R3 maintain the LSDB consistency by sending PSNPs periodically.

Answer:

C

Question 7

Question Type: MultipleChoice

The router data is as follows. Which of the following statements is true?

```
[R3]display isis interface
```

```
Interface information for ISIS(1)
```

Interface	Id	IPV4.State	IPV6.State	MTU	Type	DIS
Eth0/0/0	001	Up	Up	1497	L1/L2	Yes/No
Eth0/0/1	002	Down	Up	1497	L1/L2	No/No
GE0/0/0	003	Down	Up	1497	L1/L2	No/Yes

```
[R3]display isis peer
```

```
Peer information for ISIS(1)
```

System Id	Interface	Circuit Id	State	Holdtime	Type	PRI
0001.0000.000	Eth0/0/0	0003.0000.0000.01	Up	22s	L1	64
0002.0000.000	Eth0/0/1	0002.0000.0000.01	Up	7a	L1	64
0004.0000.000	GE0/0/0	0003.0000.0000.03	Up	28s	L2	64

Options:

- A- IS-IS IPv4 and IS-IS IPv6 are enabled on Eth0/0/1 of R3.
- B- Ge0/0/0 of R3 and neighbor routers are in different areas.
- C- R3 is the Level-1 DIS and Level-2 DIS for the link where Eth0/0/0 resides.
- D- The circuit-level of Eth0/0/0/1 on R3 is Level-1-2.

Answer:

B

To Get Premium Files for H12-261 Visit

<https://www.p2pexams.com/products/h12-261>

For More Free Questions Visit

<https://www.p2pexams.com/huawei/pdf/h12-261>

