



Free Questions for H12-425_V2.0 by vceexamstest

Shared by Navarro on 20-03-2024

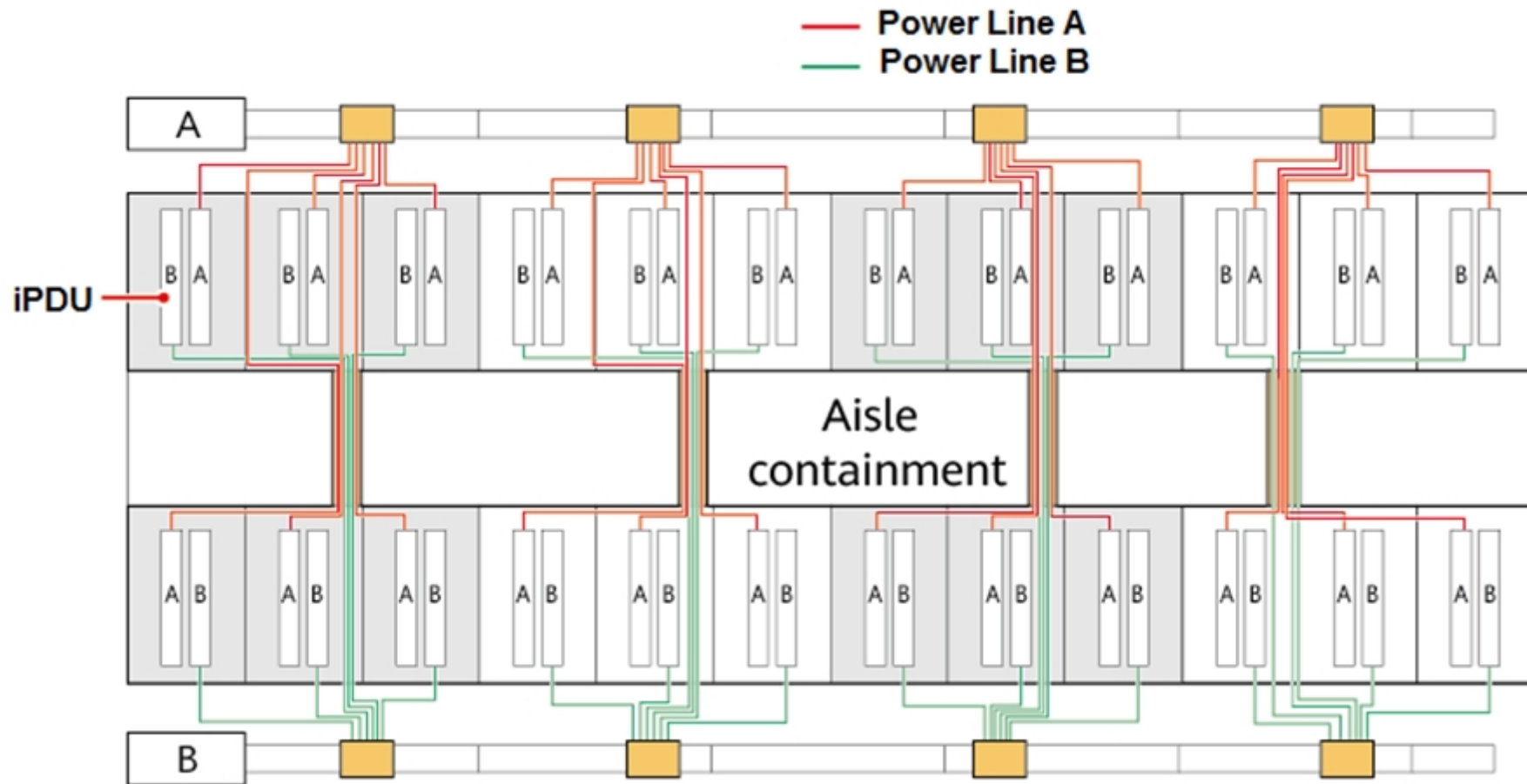
For More Free Questions and Preparation Resources

Check the Links on Last Page

Question 1

Question Type: MultipleChoice

Refer to the exhibit.



Options:

A- 2N deployment crossing rows

- B- 2N deployment without crossing rows
- C- N+1 deployment crossing rows
- D- N+1 deployment without crossing rows

Answer:

A

Question 2

Question Type: MultipleChoice

Commissioning NetCol5000-C drainage devices, after lifting the high float for 5 seconds, two water pumps start working, and the drain abnormal alarm is generated.

Options:

- A- True
- B- False

Answer:

A

Question 3

Question Type: MultipleChoice

When connecting chilled water pipes for the NetCol8000-C, fill water and preserve pressure 8 hours after the conversion adapter is connected.

Options:

A- True

B- False

Answer:

B

Question 4

Question Type: MultipleChoice

As the altitude increases, the air density decreases, and the heat exchange capability of the air in a unit volume decreases. In this case, NetCol8000-E220 works with derating.

Options:

A- True

B- False

Answer:

A

Question 5

Question Type: MultipleChoice

The UPS can generate large leakage currents. A circuit breaker equipped with a residual current device (RCD) is not recommended. If leakage protection is required, consider the leakage current of the UPS and downstream devices.

Options:

A- True

B- False

Answer:

A

Question 6

Question Type: MultipleChoice

In the FusionModule2000, the skylight actuator can control the rotating skylight in the aisle containment of the modular data center.

Options:

A- True

B- False

Answer:

A

Question 7

Question Type: MultipleChoice

In large-scale data centers such as financial securities centers and telecom hubs. UPSs with a capacity of 200 kVA or higher are usually used. For UPS5000-E-200k, 12 V battery packs are usually configured as backup power instead of battery racks.

Options:

A- True

B- False

Answer:

B

To Get Premium Files for H12-425_V2.0 Visit

https://www.p2pexams.com/products/h12-425_v2.0

For More Free Questions Visit

<https://www.p2pexams.com/huawei/pdf/h12-425-v2.0>

