



**Free Questions for [H12-891\\_V1.0](#) by [certsdeals](#)**

**Shared by [Lane](#) on [06-06-2022](#)**

**For More Free Questions and Preparation Resources**

**[Check the Links on Last Page](#)**

# Question 1

---

## Question Type: MultipleChoice

---

The network administrator defines a traffic policing policy as follows:

```
[Huawei]display traffic policy user-defined
User Defined Traffic Policy Information:
Policy: pl
Classifier: cl
Operator: OR
Behavior: bl
Committed Access Rate:
  CIR 256 (Kbps), PIR 0 (Kbps), CBS 48128 (byte), PBS 80128 (byte)
Color Mode: color Blind
Conform Action: pass
Yellow Action: pass
Exceed Action: discard
statistic: enable
```

### Options:

---

- A- 256K bytes
- B- 48128 bytes
- C- 32K bytes
- D- 80128 bytes

**Answer:**

---

C

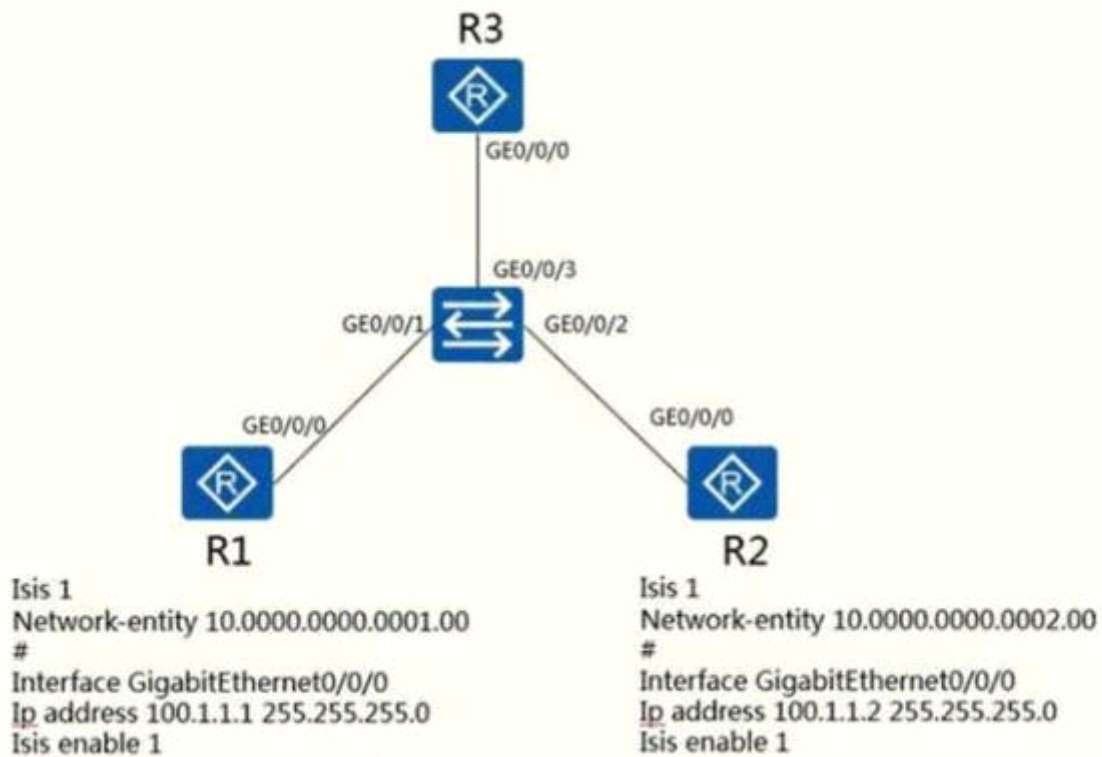
## Question 2

---

**Question Type: MultipleChoice**

---

As shown in the figure, the overload bit of ISIS is set in the configuration of router R3, and the following statement is correct



A R3's direct route will be ignored by R1 and R2 because of the setting of the overload bit .

### Options:

**B-** When the router runs out of memory, the system automatically sets the overload flag bit in the sent LSP packets. Irrelevant to whether the user has a set-overload command configured.

Routes introduced by

- C- R3 through import-route will not be published. The LSP of
- D- R3 will not be able to spread to R1 and R2
- E- R3 initiates the load state, and R1 and RZ will not calculate the LSP of R3 cattle in the SP tree.

**Answer:**

---

B, C

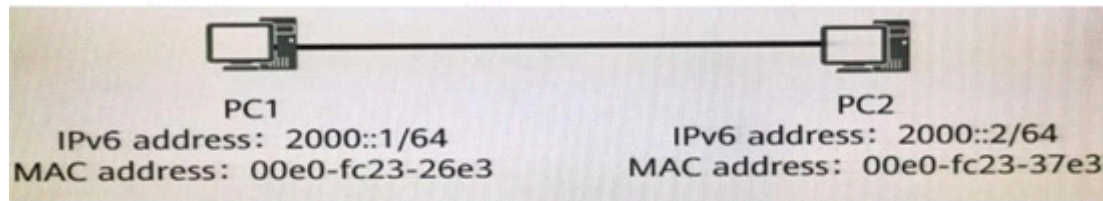
## Question 3

---

**Question Type: MultipleChoice**

---

As shown in the figure, PC1 and PC2 are hosts that belong to the same network segment, below about between PC1 and PC2 What are the correct descriptions of IPv6 neighbor states?



**Options:**

---

- A- If the MAC address information of PC2 can be queried on PC1, the neighbor relationship may be Stale
- B- If pc2's MAC address information can be queried on PC1, the neighbor relationship may be Probe
- C- There are five possible neighbor states between PC1 and PC2: Incomplete, Reachable, and Stale , Delay, Probe
- D- If the MAC address information of PC2 can be queried on PC1, the neighbor relationship must be Reachable

**Answer:**

---

A, C

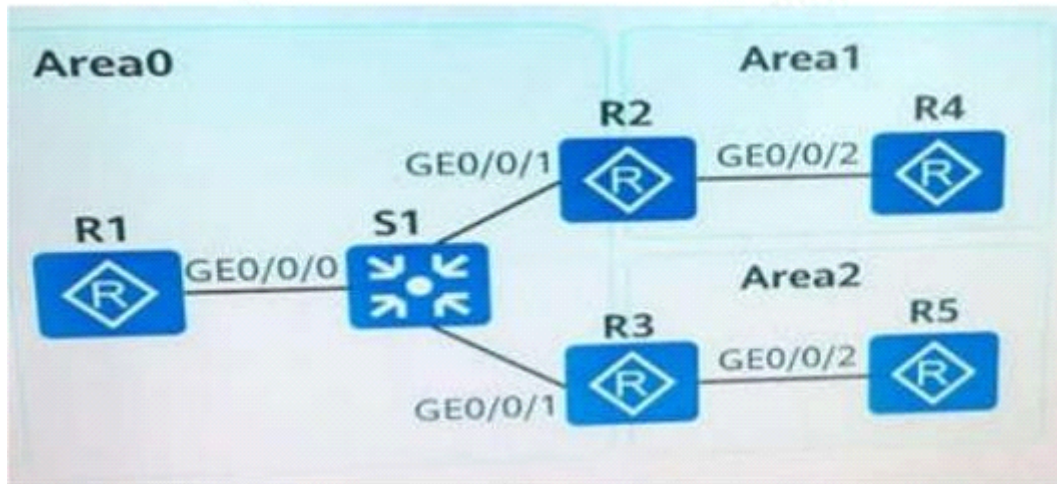
## Question 4

---

**Question Type:** MultipleChoice

---

A campus deploys OSPF to achieve network interoperability, and an engineer configures R2 as shown in the figure, then the following description of the LSA in the OSPF network is wrong



**Options:**

---

- A- There is no Type3 LSA flooding within Area0
- B- There is no Type3 LSA flooding in Area2
- C- There is Type5 LSA flooding within Area0
- D- Area2 contains Type5 LSA generic advertisement

**Answer:**

---

A

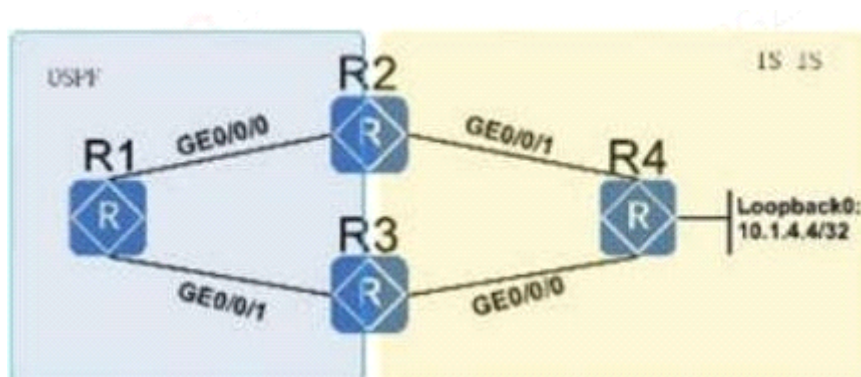
## Question 5

---

### Question Type: MultipleChoice

---

As shown in the figure, an engineer uses four routers to test the interoperability of branch networks, where R1, R2, and R3 in branch 1 deploy OSPF Network interoperability is implemented, and R, R3, R4 in Branch 2 is deployed is-IS to achieve network interoperability. Now that the engineer wants to implement R1 access to R4's loopback address, which of the following actions will meet this requirement?



### Options:

---

- A- No configuration is required
- B- Publish default routes only in the OSPF process for R2
- C- In the OSPF process of R2 and the IS-IS process, the default routes are published separately



D- Publish the default route only in the IS-IS process of R2

**Answer:**

---

B, C

## Question 6

---

**Question Type:** MultipleChoice

---

R3 is not established with the R1's IS-IS neighbor, and according to the information in this figure, the possible cause is ?

```
[R3]display isis error
Hello packet errors:
... ..
Repeated System ID      : 0      Bad Circuit Type      : 16
Longer packet           : 0      More Area Addr        : 0
Longer Area Addr        : 0      Bad Area Addr TLV     : 0
More IF Addr            : 0      Bad Formatted IF TLV  : 0
Mismatched Area Addr(L1): 0      Mismatched Proto      : 0
SNPA Conflicted(LAN)   : 0      Mismatched Level      : 0
Mismatched Max Area Addr: 0      Bad Authentication     : 0
... ..
[R3]
```

**Options:**

---

- A- R3 duplicates the System ID of R1
- B- R3 does not match the IS-Level of R1
- C- R3 and R1 interconnection ports circuit-type do not match the IH authentication of
- D- R3 and R1

**Answer:**

---

C

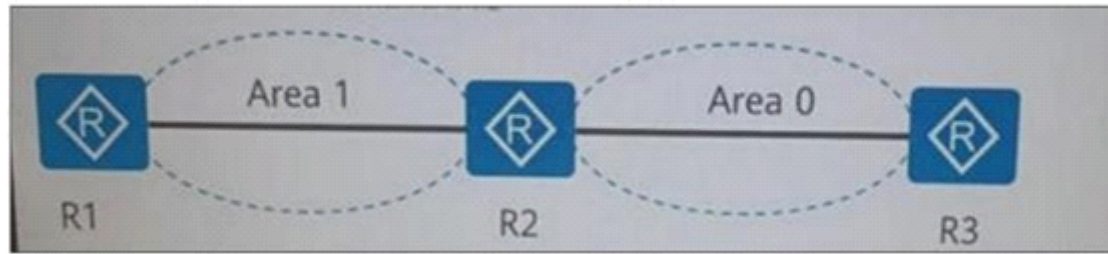
## Question 7

---

**Question Type:** MultipleChoice

---

As shown in the figure, all routers run OSPF, which is correct in the following statement:



**Options:**

---

- A- Both R2 and Zone 0 generate Router LSA
- B- R2 generates Router LSA only in Zone 0
- C- R2 forwards the R1-generated Router LSA to R3
- D- R2 Forwards the R3-generated Router LSA to R1

**Answer:**

---

A

## Question 8

---

**Question Type:** MultipleChoice

---

Based on the configuration shown in the figure below, it can be known that R4 has () interfaces advertised into IS-IS?

```
<R4>display isis interface
      Interface information for ISIS(1)
      -----
Interface  Id  IPV4.State  IPV6.State  MTU  Type  DIS
GE0/0/0    001    Up          Down        1497  L1/L2 No/No
GE0/0/1    002    Up          Down        1497  L1/L2 No/No
Loop0      001    Up          Down        1500  L1/L2 --
<R4>
```

**Options:**

---

- A- 2
- B- 3
- C- 1
- D- 0

**Answer:**

---

B

## Question 9

---

Question Type: MultipleChoice

---

View the IGMP configuration of the interface on the router RTA as follows, and the information about the operation of the RTA is incorrect

```
<RTA>display igmp interface
Interface information of VPN-Instance: public net
GigabitEthernet0/0/1(192.168.1.1):
  IGMP is enabled
  Current IGMP version is 2
  IGMP state: up
  IGMP group policy: none
  IGMP limit: -
  Value of query interval for IGMP (negotiated): -
  Value of query interval for IGMP (configured): 60 s
  Value of other querier timeout for IGMP: 0 s
  Value of maximum query response time for IGMP: 10 s
  Querier for IGMP: 192.168.1.1 (this router)
```

### Options:

---

- A- The packet interval for a particular group query is 60 seconds
- B- The interface IP address is 1921681.1

**C-** The maximum response time for query messages is 10 seconds

**D-** The IGMP protocol version is 2

**Answer:**

---

A

**To Get Premium Files for H12-891\_V1.0 Visit**

**[https://www.p2pexams.com/products/h12-891\\_v1.0](https://www.p2pexams.com/products/h12-891_v1.0)**

**For More Free Questions Visit**

**<https://www.p2pexams.com/huawei/pdf/h12-891-v1.0>**

