



**Free Questions for JN0-1302 by dumpshq**

**Shared by Boyer on 29-01-2024**

**For More Free Questions and Preparation Resources**

**Check the Links on Last Page**

## Question 1

---

**Question Type:** MultipleChoice

---

You are designing an IP fabric ASN scheme using EBGP.

What are two acceptable ranges in this scenario? (Choose two.)

**Options:**

---

A- 0-512

B- 100001-199999

C- 64512-65535

D- 4200000000-4294967294

**Answer:**

---

C, D

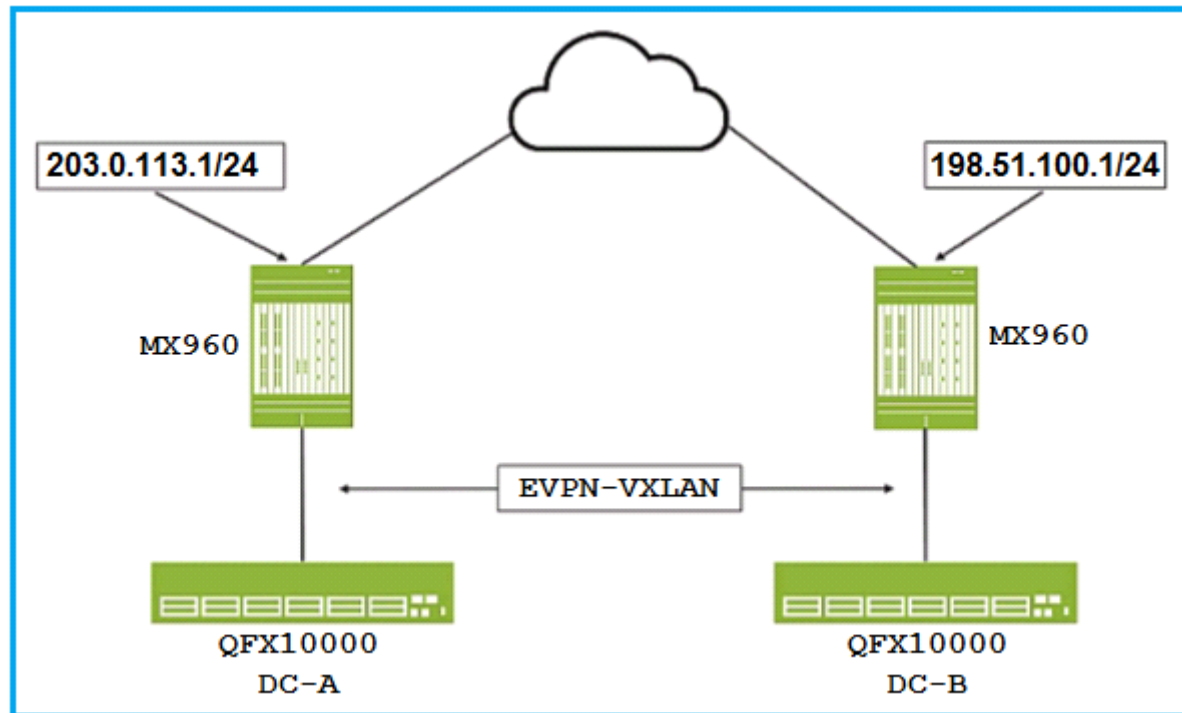
## Question 2

---

**Question Type:** MultipleChoice

---

Click the Exhibit button.



You are in discussions with the WAN team about implementing a Data Center interconnect between DC-A and DC-B, as shown in the exhibit.

What are two protocols that would support your Data Center Interconnect requirements? (Choose two.)

**Options:**

---

A- Layer 3 VPN

B- OVSDB

C- BGP

D- H-VPLS

**Answer:**

---

A, C

## Question 3

---

**Question Type:** MultipleChoice

---

You are developing an automation strategy and have been given the requirements below.

The tool chosen must be supported by multiple vendors.

The tool chosen must not install a client on the networking devices.

The tool chosen must support open standards communication methods.

Which tool satisfies the requirements?

**Options:**

---

A- Ansible

B- SLAX

C- Chef

D- Puppet

**Answer:**

---

A

## Question 4

---

**Question Type: MultipleChoice**

---

Which protocol is used to exchange control information between the participating multichassis LAG (MC-LAG) peers?

**Options:**

---

A- BGP

**B-** OSPF

**C-** ICCP

**D-** VCCP

**Answer:**

---

C

## Question 5

---

**Question Type:** MultipleChoice

---

Your company wants to expand operations and build small data centers in locations where it is difficult to maintain physical routing equipment. You must recommend a Juniper product that minimizes this issue.

Which product would you recommend in this situation?

**Options:**

---

**A-** MX104

**B-** vMX

**C-** vRR

**D-** Virtual Chassis

**Answer:**

---

B

## Question 6

---

**Question Type: MultipleChoice**

---

Which two Layer 2 Data Center Interconnect redundancy options support active/active forwarding? (Choose two.)

**Options:**

---

**A-** VPLSLAG

**B-** point-to-point LAG

**C-** EVPN multihoming

**D-** VPLS multihoming

**Answer:**

---

C, D

## Question 7

---

**Question Type: MultipleChoice**

---

Which two statements describe SDN? (Choose two.)

**Options:**

---

- A-** SDN can alleviate the need for manually configuring each network device.
- B-** SDN moves forwarding functions to a centralized management platform.
- C-** SDN combines the control plane and the forwarding plane into a single fabric.
- D-** SDN moves compute intensive functions to a centralized controller.

**Answer:**

---

A, D



## Question 8

---

**Question Type:** MultipleChoice

---

You are asked to deploy data classification measures in your network. You are analyzing an e-mail and notice several employees in the cc list but the e-mail does not appear to contain any sensitive data, such as security logs or financial reports.

In this scenario, how should this data be classified?

**Options:**

---

- A- public
- B- encrypted
- C- restricted
- D- private

**Answer:**

---

D

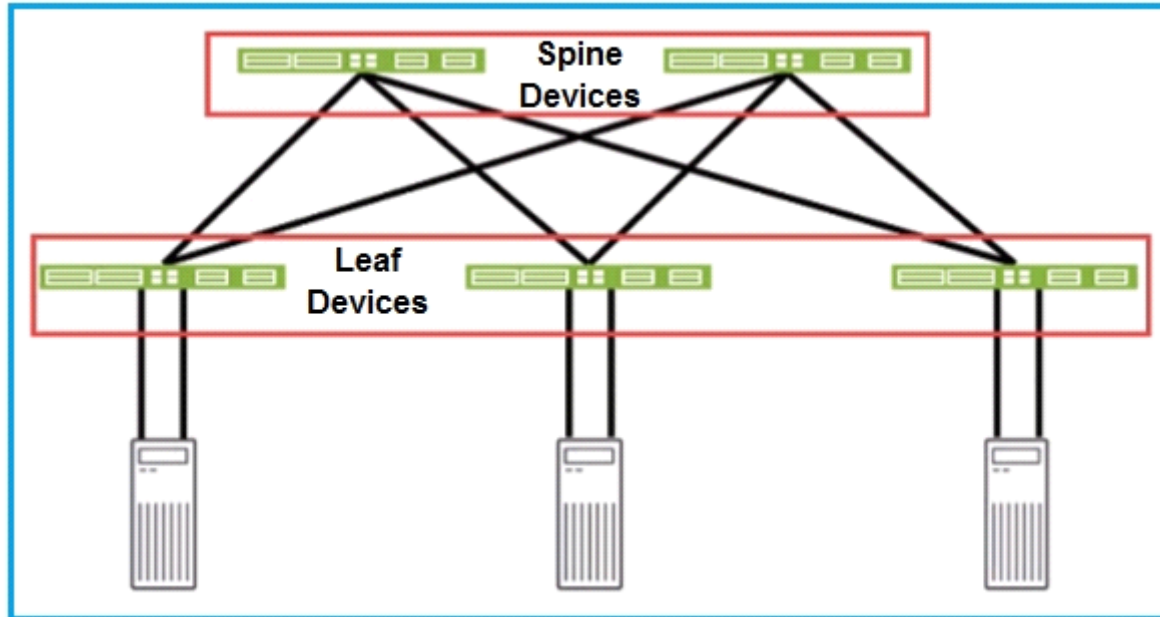
## Question 9

---

**Question Type: MultipleChoice**

---

Click the Exhibit button.



Referring to the exhibit, which two statements are true? (Choose two.)

**Options:**

---

- A- You should use CoS rewrite rules for traffic coming into the leaf devices.
- B- You should use CoS rewrite rules for traffic leaving the leaf devices.

- C- You should use CoS rewrite rules for traffic leaving the spine devices.
- D- You should use CoS rewrite rules for traffic coming into the spine devices.

**Answer:**

---

B, C

## Question 10

---

**Question Type: MultipleChoice**

---

You are asked to design security policies based on team membership.

Which access control methodology should you use in this scenario?

**Options:**

---

- A- non-discretionary access control
- B- role-based access control
- C- mandatory access control

D- discretionary access control

**Answer:**

---

B

**To Get Premium Files for JN0-1302 Visit**

**<https://www.p2pexams.com/products/jn0-1302>**

**For More Free Questions Visit**

**<https://www.p2pexams.com/juniper/pdf/jn0-1302>**

