



Free Questions for JN0-363 by ebraindumps

Shared by Lyons on 14-11-2022

For More Free Questions and Preparation Resources

Check the Links on Last Page

Question 1

Question Type: MultipleChoice

You are bringing a new network online with three IS-IS routers using default Junos election priorities. The routers are configured as Level 2 only IS-IS routers. Which statement is true about the DIS election in this scenario?

Options:

- A- The router with the highest MAC address will be elected as the DIS.
- B- The router with the highest numerical lo0 IP address will be elected as the DIS.
- C- The router with the lowest numerical lo0 IP address will be elected as the DIS.
- D- The router with the lowest MAC address will be elected as the DIS.

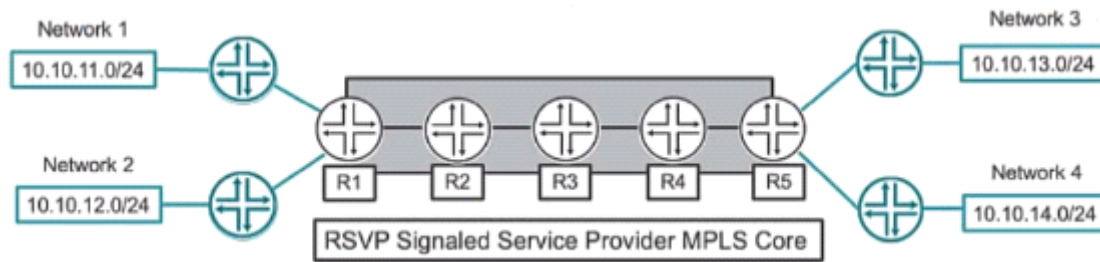
Answer:

B

Question 2

Question Type: MultipleChoice

Exhibit



Referring to the exhibit, what is the minimum number of LSPs required to support all four networks?

Options:

A- 1

B- 2

C- 8

D- 4

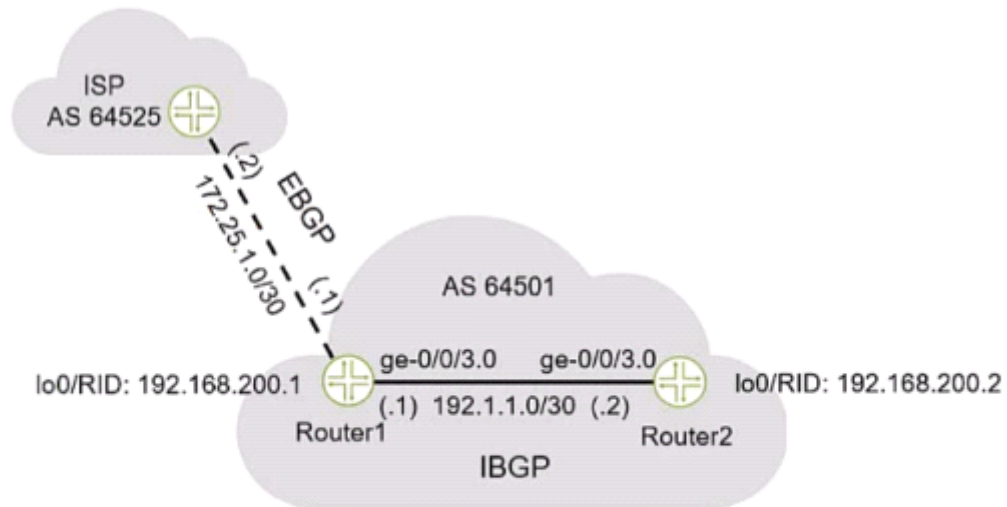
Answer:

C

Question 3

Question Type: MultipleChoice

Exhibit



```
[edit]
user@Router1# show protocols bgp
group External {
    peer-as 64525;
    neighbor 172.25.1.2;
}
```

Referring to the exhibit, what must be included in the Route1 configuration when establishing an EBGP session with the ISP?

Options:

- A- A local address must be specified.
- B- A local AS must be specified.
- C- The BGP session type internal must be specified.
- D- The BGP session type external must be specified.

Answer:

A

Question 4

Question Type: MultipleChoice

Which two statements are correct about the BGP next-hop attribute value? (Choose two.)

Options:

- A- By default, the next-hop value is changed across IBGP links.

- B-** By default, the next-hop value is changed across EBGP links.
- C-** By default, the next-hop value is not changed across IBGP links.
- D-** By default, the next-hop value is not changed across EBGP links.

Answer:

A

Question 5

Question Type: MultipleChoice

How does a Junos device learn about MAC addresses when it is first connected to an Ethernet LAN?

Options:

- A-** The device sends out a network broadcast message asking for all devices and MAC addresses on the network and stores this information in addition to the interface from which the response was received.
- B-** The device learns the destination MAC addresses from traffic in the network and stores this MAC address in addition to the interface from which the traffic was received.
- C-** The device learns the source MAC addresses from traffic in the network and stores this MAC address in addition to the interface from

which the traffic was received.

D- The device sends out a network multicast message asking for all devices and MAC addresses on the network and stores this Information in addition to the interface from which the response was received.

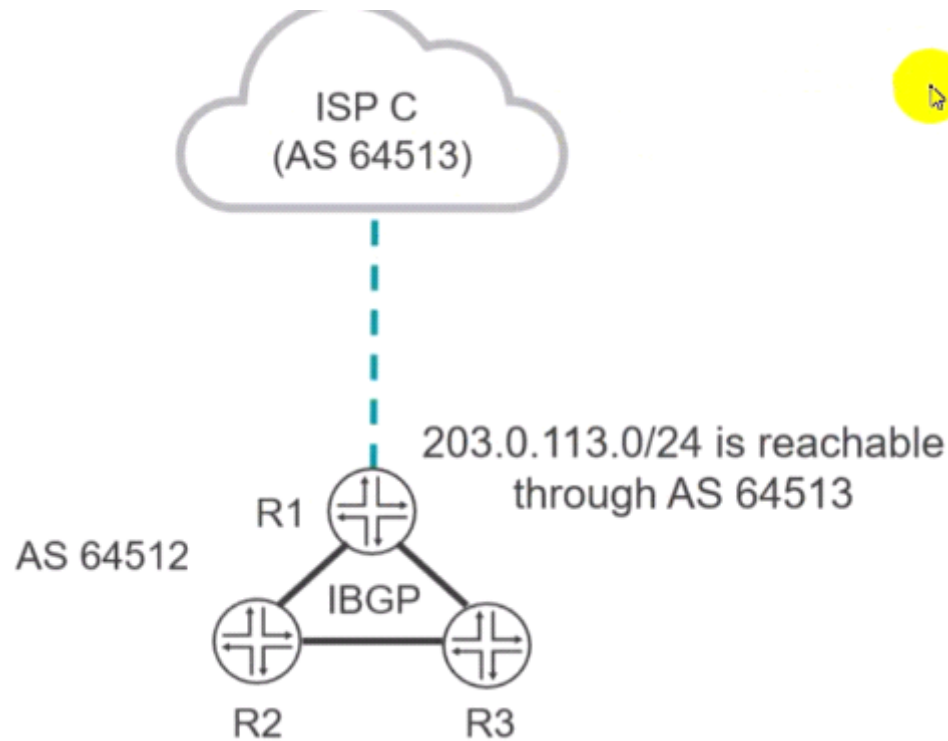
Answer:

D

Question 6

Question Type: MultipleChoice

Exhibit



You confirm that the R2 and R3 routers are receiving a BGP route to the 203.0.113.0/24 network, but both routers display the route as hidden. Referring to the exhibit, which two actions solve this problem? (Choose two.)

Options:

- A-** Apply the routing policy on R1 as an export policy to the IBGP group.
- B-** Apply the routing policy on R1 as an Import policy to the IBGP group.
- C-** Configure a routing policy on R1 that sets the next hop for the 203.0.113.0/24 BGP route to the IP address that R1 uses for IBGP

peering.

D- Configure a routing policy on R1 that sets the next hop for the 203.0.113.0/24 BGP route to the IP address that R1 uses for EBGP peering.

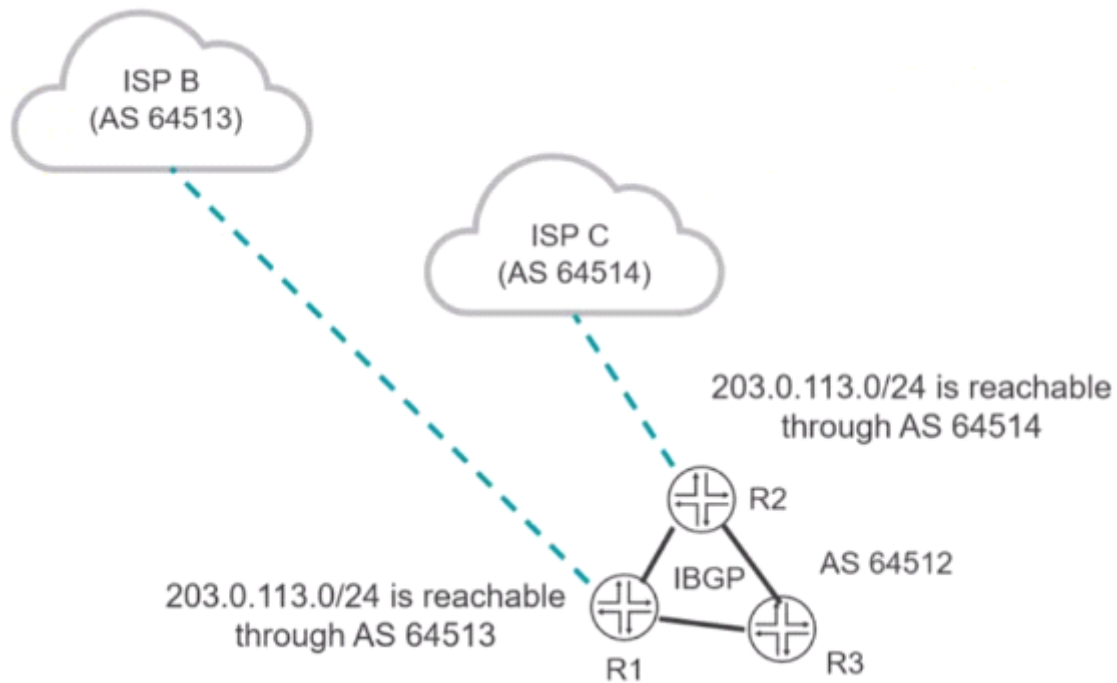
Answer:

C, D

Question 7

Question Type: MultipleChoice

Exhibit



You want the R1 and R3 routers to forward traffic destined to the 203.0.113.0/24 network through R2. Which BGP attribute would you modify to satisfy this requirement?

Options:

- A- community
- B- origin
- C- MED

D- local preference

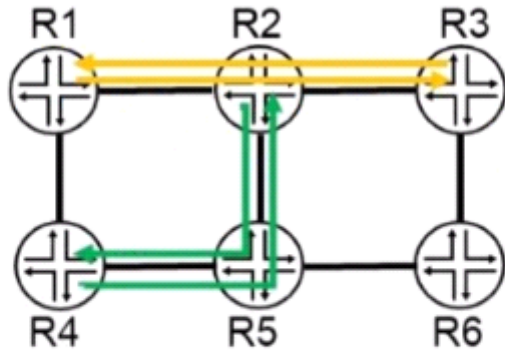
Answer:

C

Question 8

Question Type: MultipleChoice

Exhibit



- RVSP LSP with 300 Mbps reserved
- RVSP LSP with 700 Mbps reserved

The exhibit shows a topology with 1 Gbps interfaces between routers, and four RSVP LSPs operating with the respective bandwidth reservations.

Which path will be selected for a new LSP from R4 to R6 with a bandwidth reservation of 400 Mbps?

Options:

- A-** R4 -> R1 -> R2 -> R5 -> R6
- B-** R4 -> R5 -> R6

C- R4 -> R5 -> R2 -> R3 -> R6

D- R4 -> R1 -> R2 -> R3 -> R6

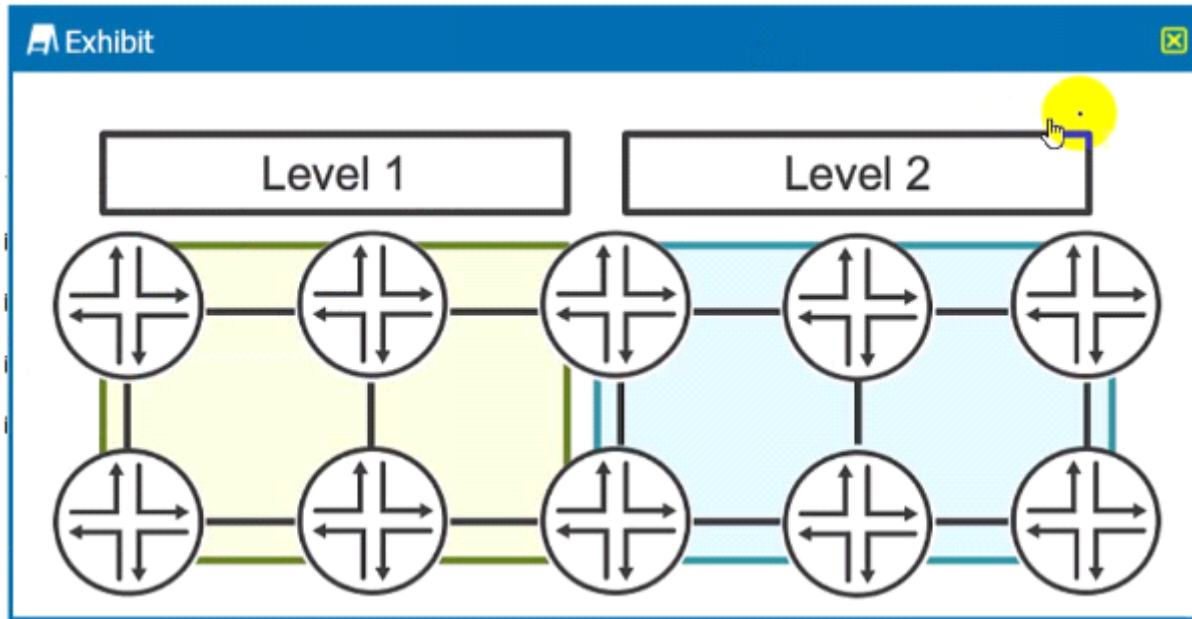
Answer:

A

Question 9

Question Type: MultipleChoice

Exhibit



Referring to the exhibit, which two statements are correct? (Choose two.)

Options:

- A-** Prefixes in Level 1 will be redistributed to Level 2.
- B-** Prefixes In Level 2 will be not redistributed to Level 1.
- C-** Prefixes in Level 2 will be redistributed to Level 1.
- D-** Prefixes in Level 1 will not be redistributed to Level 2.

Answer:

C

To Get Premium Files for JN0-363 Visit

<https://www.p2pexams.com/products/jn0-363>

For More Free Questions Visit

<https://www.p2pexams.com/juniper/pdf/jn0-363>

