



**Free Questions for JN0-363 by dumpssheet**

**Shared by Young on 29-01-2024**

**For More Free Questions and Preparation Resources**

**Check the Links on Last Page**

## Question 1

---

**Question Type:** MultipleChoice

---

Which LSA type does an OSPF ABR use to advertise external routes generated by an NSSAASBR into the backbone?

**Options:**

---

A- Type 5

B- Type 7

C- Type 3

D- Type 1

**Answer:**

---

C

## Question 2

---

**Question Type:** MultipleChoice

---

Which two LSA types are permuted in OSPF totally stubby areas? (Choose two.)

**Options:**

---

A- Type 1

B- Type 3

C- Type 5

D- Type 7

**Answer:**

---

C, D

## Question 3

---

**Question Type: MultipleChoice**

---

Which two statements are correct about the way that BGP propagates routes by default? (Choose two.)

**Options:**

---

- A-** A route learned by EBGP will be re-advertised to IBGP peers.
- B-** A route learned by IBGP will not be re-advertised to IBGP peers.
- C-** A route learned by EBGP will not be re-advertised to IBGP peers.
- D-** A route learned by IBGP will be re-advertised to IBGP peers.

**Answer:**

---

A, B

## Question 4

---

**Question Type: MultipleChoice**

---

Which BGP attribute is used to detect routing loops?

**Options:**

---

- A-** AS path

B- MED

C- local preference

D- next hop

**Answer:**

---

A

## Question 5

---

**Question Type:** MultipleChoice

---

Exhibit

```
user@router-re0> show system s?  
Possible completions:  
  services      Show service applications information  
  snapshot      Show snapshot information  
  software      Show loaded JUNOS extensions  
  statistics    Show statistics for protocol  
  storage       Show local storage data
```

You have configured graceful RE switchover (GRES), however you cannot complete the show system switchover command.

Referring to the exhibit, what is the problem?

**Options:**

---

- A- The command is only available if non-stop routing is enabled.
- B- The command is only available on the backup Routing Engine.
- C- The command is only available if a backup router is configured.
- D- The command is only available if graceful restart is enabled.

**Answer:**

---

B

**Explanation:**

---

Issue the show system switchover command only on the backup Routing Engine. This command is not supported on the primary Routing Engine because the kernel-replication process daemon does not run on the primary Routing Engine. This process runs only on the backup Routing Engine.

## Question 6

---

**Question Type: MultipleChoice**

---

Exhibit

```
[edit]
user@router# set routing-options nonstop-routing
[edit]
user@router#
```

Referring to the exhibit, which two additional steps should you take to fully configure NSR? (Choose two.)

**Options:**

---

- A- You should configure the max period for NSR precision timers.
- B- You must configure GRES.
- C- You must configure graceful restart.
- D- You should configure commit synchronization.

**Answer:**

---

B, D

**Explanation:**

---

<https://www.juniper.net/documentation/us/en/software/junos/high-availability/topics/task/nsr-configuring.html>

**Question 7**

---

**Question Type: MultipleChoice**

---

Exhibit



```
Exhibit
user@R1> show bgp summary
Threading mode: BGP I/O
Default eBGP mode: advertise - accept, receive - accept
Groups: 1 Peers: 1 Down peers: 1
Table          Tot Paths  Act Paths  Suppressed  History  Damp State  Pending
inet.0
              0          0          0          0        0          0          0
Peer          AS      InPkt    OutPkt    OutQ    Flaps  Last Up/Dwn
State|#Active/Received/Accepted/Damped...
192.168.200.2  64512    0        0        0      0      1:01 Active
user@R1> show configuration routing-options
autonomous-system 64512;
user@R1> show configuration protocols
bgp {
  group Internal {
    type internal;
    local-address 192.168.200.1;
    neighbor 192.168.200.2;
  }
}
```

Referring to the exhibit, internal BGP between R1 and R2 is not establishing.

What is the problem In this scenario?

**Options:**

**A-** R1 does not have a route to 192.168.200.2.

- B-** R1 and R2 must each have unique AS numbers.
- C-** R1 needs to be configured with an explicit router ID.
- D-** R1 needs to be configured with a next-hop self policy.

**Answer:**

---

A

## Question 8

---

**Question Type:** MultipleChoice

---

Exhibit

```
[edit]
user@switch# show interfaces ge-0/0/1
native-vlan-id 20;
unit 0 {
    family ethernet-switching {
        interface-mode trunk;
        vlan {
            members [ 10 20 ];
        }
    }
}
```

Referring to the exhibit, what will happen to untagged frames?

**Options:**

---

- A- The untagged frames are dropped.
- B- The untagged frames are load balanced between VLAN 10 and VLAN 20.
- C- The untagged frames are associated with VLAN 10.
- D- The untagged frames are associated with VLAN 20.

**Answer:**

---

A

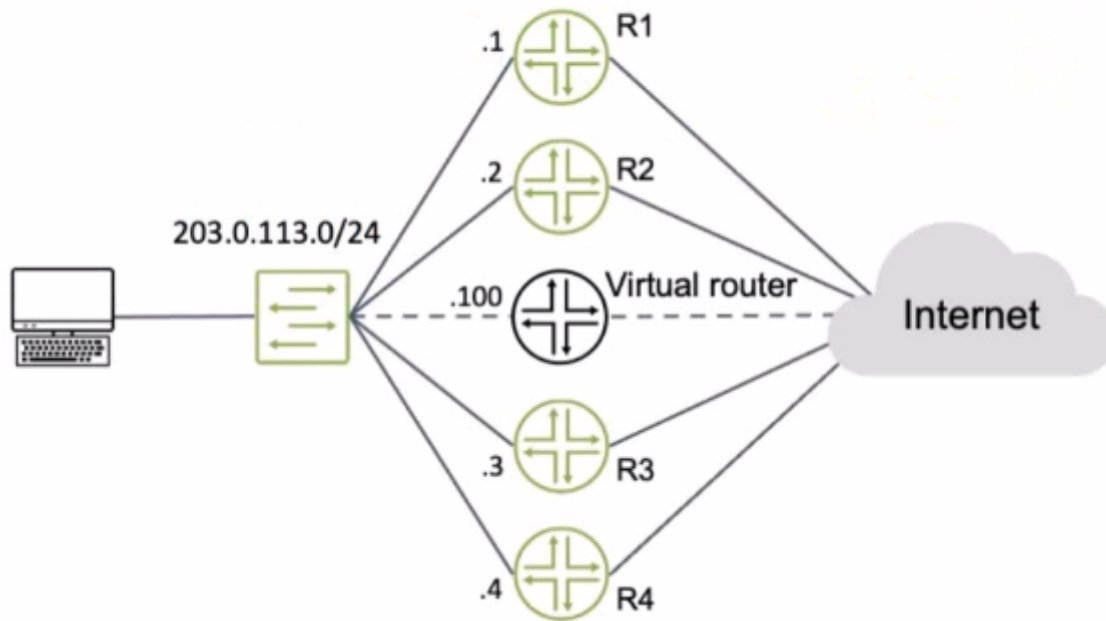
## Question 9

---

**Question Type:** MultipleChoice

---

Exhibit



Routers R1 and R4 have a VRRP priority of 90, while R2 and R3 have default VRRP priorities

Referring to the exhibit, which router will be elected as the primary VRRP router?

**Options:**

**A-** R3

**B-** R4

**C-** R2

**D-** R1

### **Answer:**

---

A

### **Explanation:**

---

'Default: 100. If two or more devices have the highest priority in the VRRP group, the device with the VRRP interface that has the highest IP address becomes the primary, and the others serve as backups.' <https://www.juniper.net/documentation/us/en/software/junos/high-availability/topics/ref/statement/priority-edit-interfaces-vrrp.html>

## **Question 10**

---

**Question Type:** MultipleChoice

---

You have created a routing instance named vr3 that will provide access to Server 2 (10.0.0.2) (or the hosts on the 10.10.10.0/24 network. Which command would you use to test connectivity between vr3 and Server 2?

### Options:

---

A- user@vr3> ping 10.0.0.2 count 5

B- user@vr3> ping 10.0.0.2 count 5 source 10.10.10.1

C- user@router1> ping 10.0.0.2 count 5

D- user@router1> ping 10.0.0.2 routing-instance vr3 count 5

### Answer:

---

C

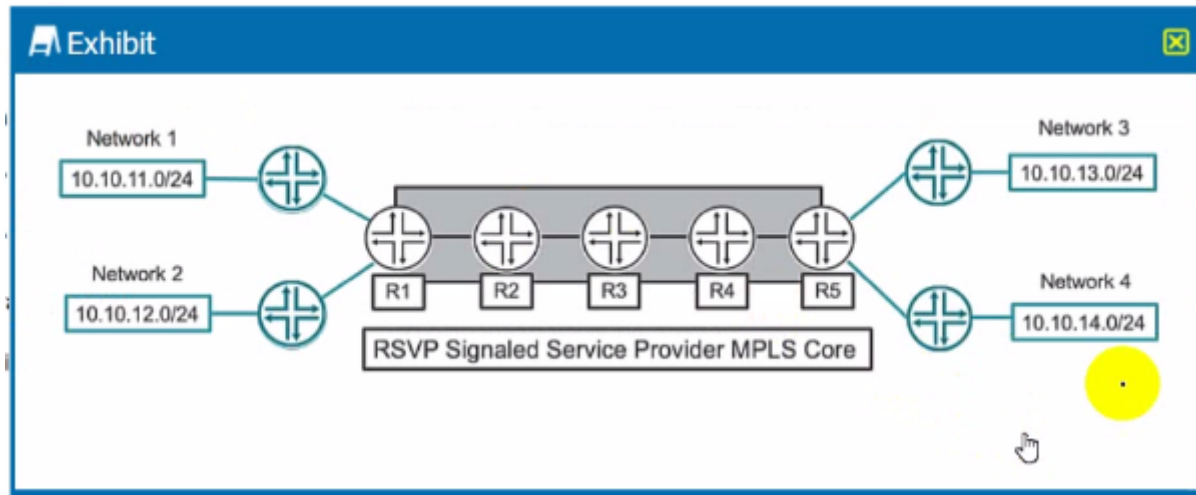
## Question 11

---

**Question Type:** MultipleChoice

---

Exhibit



Which two statements are correct about the service provider MPLS network shown in the exhibit? (Choose two.)

### Options:

- A- R3 is considered a P router.
- B- R3 is considered a PE router.
- C- R3 is considered a transit router.
- D- R3 is considered an ingress router.

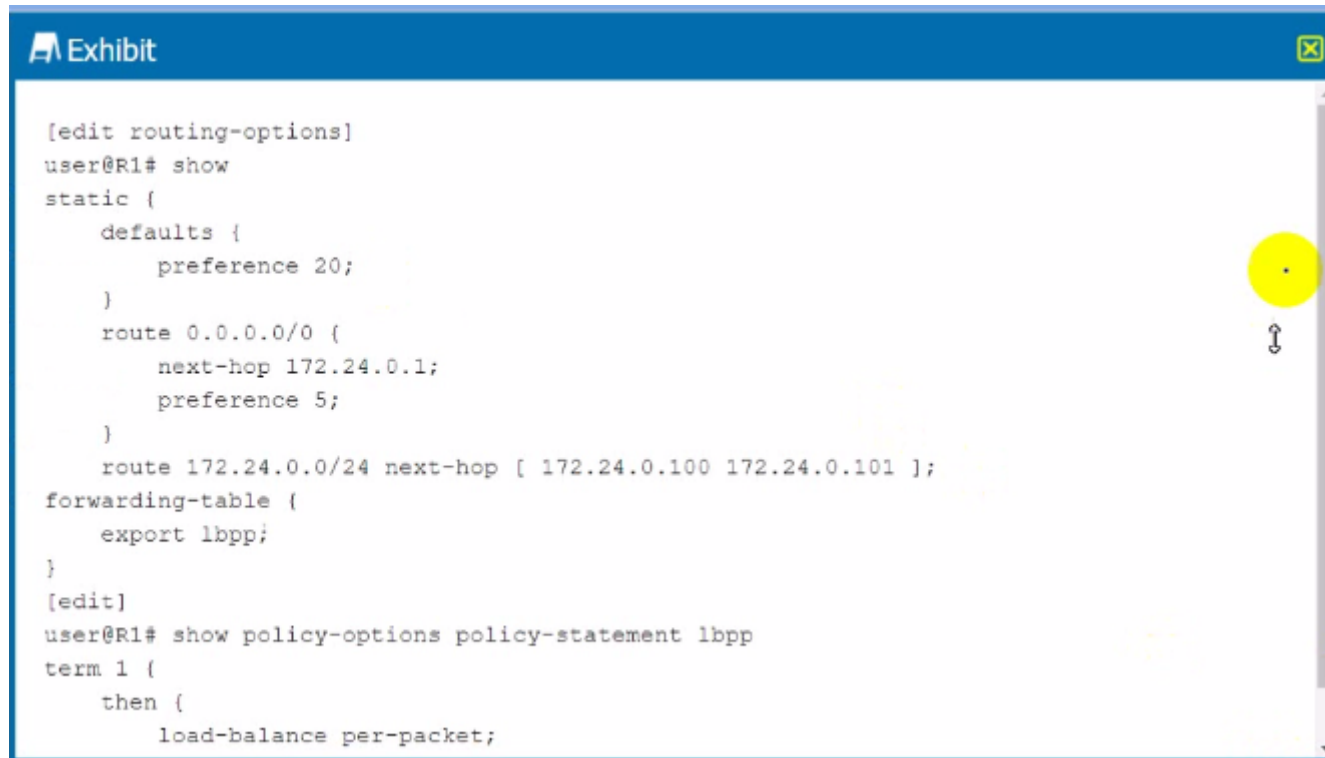
### Answer:

A, C

## Question 12

Question Type: MultipleChoice

Exhibit

The image shows a terminal window titled "Exhibit" with a blue header bar. The terminal output displays network configuration commands and their results. A yellow circle highlights a small dot on the right side of the terminal window, near the vertical scrollbar.

```
[edit routing-options]
user@R1# show
static {
  defaults {
    preference 20;
  }
  route 0.0.0.0/0 {
    next-hop 172.24.0.1;
    preference 5;
  }
  route 172.24.0.0/24 next-hop [ 172.24.0.100 172.24.0.101 ];
forwarding-table {
  export lbpp;
}
[edit]
user@R1# show policy-options policy-statement lbpp
term 1 {
  then {
    load-balance per-packet;
  }
}
```

Which type of load balancing is shown in the exhibit?



**Options:**

---

- A- elastic load balancing
- B- per-packet load balancing
- C- per-flow load balancing
- D- network load balancing

**Answer:**

---

D

**To Get Premium Files for JN0-363 Visit**

**<https://www.p2pexams.com/products/jn0-363>**

**For More Free Questions Visit**

**<https://www.p2pexams.com/juniper/pdf/jn0-363>**

