



Free Questions for JN0-682 by go4braindumps

Shared by Strickland on 20-10-2022

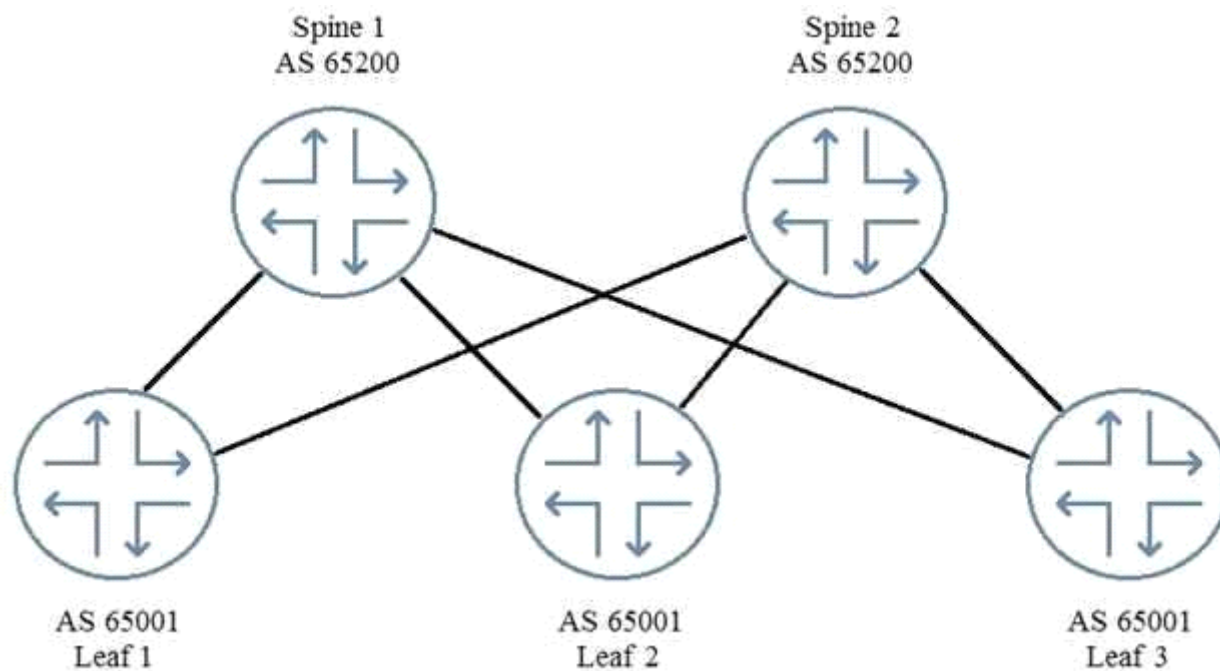
For More Free Questions and Preparation Resources

Check the Links on Last Page

Question 1

Question Type: MultipleChoice

Referring to the exhibit, not all routes are being exchanged by EBGP peers.



In this scenario, which BGP parameter would solve this problem?

Options:

- A- mulcihop
- B- mulcipach
- C- mulcipach multiple-as
- D- as-override

Answer:

D

Question 2

Question Type: MultipleChoice

Which two statements describe a VXLAN network identifier (VNI)? (Choose Two)

Options:

- A- A VNI identifies the inner MAC frame.
- B- A VNI identifies a VXLAN segment ID.
- C- A VNI allows only 512 VLANs.

D- A VNI validates the remote VTEP.

Answer:

B, D

Question 3

Question Type: MultipleChoice

What are the two valid types of VXLAN signaling?(Choose two.)

Options:

A- EVPN

B- RSVP

C- RSTP

D- MPLS

Answer:

A, B

Question 4

Question Type: MultipleChoice

You are creating a new EVPN and are asked to selectively accept certain MAC advertisement routers from your EVPN peers using VXLAN Encapsulation.

Which statements is correct in this scenario?

Options:

- A-** You can use VRF policies and route distinguisher values to filter out unwanted routes.
- B-** You can use VBRF import policies and community values to filter out unwanted routes.
- C-** You can use MAC filtering to filter out unwanted routes.
- D-** You can use firewall filters to filters out unwanted routes

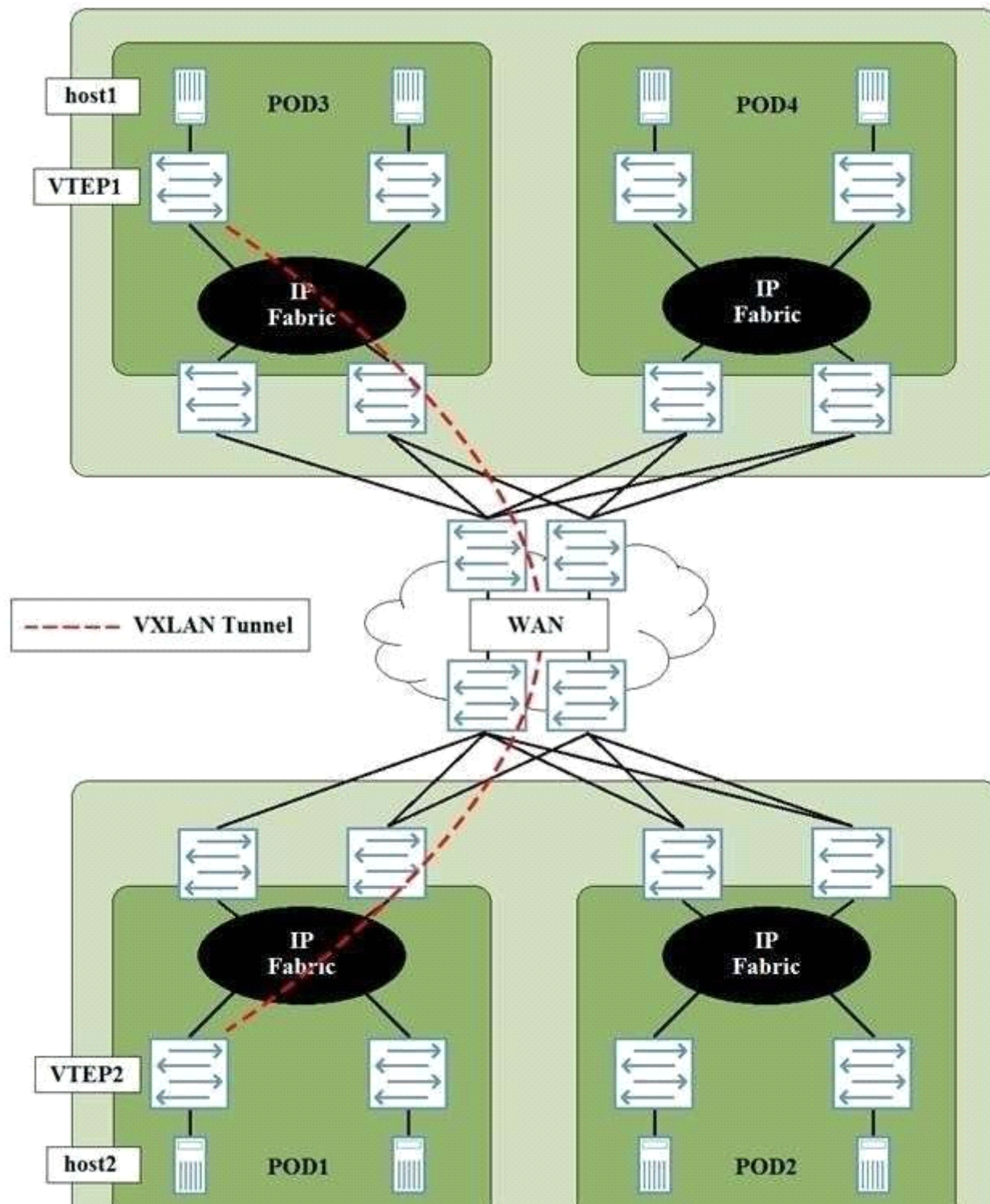
Answer:

B

Question 5

Question Type: MultipleChoice

Referring to the exhibit, DC1 and DC2 have a DCI across a service provider WAN connection. Host1 in DC1 must have Layer 2 connectivity to host2 in DC2. A VXLAN tunnel must be created between VTEP1 and VTEP2.



In this scenario, which statement is true?

Options:

- A-** A route to the loopback address on VTEP must be present on VTEP1.
- B-** VTEP and VTEP2 must peer using IBGP.
- C-** VXLAN Layer 3 gateway must be provisioned at the Super Spine layer.
- D-** The service provider WAN connection be an MPL5-based WAN connection.

Answer:

A

Question 6

Question Type: MultipleChoice

When using EBGP as the underlay protocol for your IP fabric architecture, which two statements are true? (Choose two.)

Options:

- A- Spine nodes peer to both leaf and spine nodes
- B- Leaf nodes only peer to spine nodes
- C- Leaf nodes peer to both spine and leaf nodes
- D- Spine nodes only peer to leaf nodes

Answer:

B, D

Question 7

Question Type: MultipleChoice

Which two combinations are supported when configuring a Virtual Chassis Fabric? (Choose two.)

Options:

- A- Four spine nodes and 20 leaf nodes

- B-** Four spine nodes with 16 leaf nodes
- C-** two spine nodes and 16 leaf nodes
- D-** Two spine and 28 leaf nodes

Answer:

B, C

Question 8

Question Type: MultipleChoice

You are troubleshooting an L3VPN that is part of an EVPN/MPLS DCI. You notice that the EVPN overlay BGP session toward 10.29.50.4 is unable to establish.

```
VPN.inet.0: 15 destinations, 16 routes (15 active,  
0 holddown, 1 hidden)  
 10.29.50.4/32 (2 entries, 1 announced)  
   Import Accepted  
   Route Distinguisher: 65000:12345  
   VPN Label: 16  
   Nexthop: 192.168.5.5  
   MED: 3  
   Localpref: 100  
   AS path: I  
   Communities: target:65000:12345 rte-  
type:0.0.0.0:1:0
```

Why is the BGP session failing to establish?

Options:

- A- The route-distinguisher value on the local PE is incorrect
- B- There is no route for 192.168.5.5 in VPN net 0.
- C- There is no route for 192.168.5.5 in inet 3.
- D- The vrf-table label value is not configured in the remote PE.

Answer:

C

Question 9

Question Type: MultipleChoice

You are configuring VXLAN, and you must ensure that all switches for the multicast groups advertise their existence and learn about other VTEPs In this scenario, which protocol will accomplish this task?

Options:

- A- OSPF
- B- EVPN
- C- PIM
- D- BOP

Answer:

C

To Get Premium Files for JN0-682 Visit

<https://www.p2pexams.com/products/jn0-682>

For More Free Questions Visit

<https://www.p2pexams.com/juniper/pdf/jn0-682>

