



Free Questions for [CLAD](#) by [go4braindumps](#)

Shared by [Hale](#) on [06-06-2022](#)

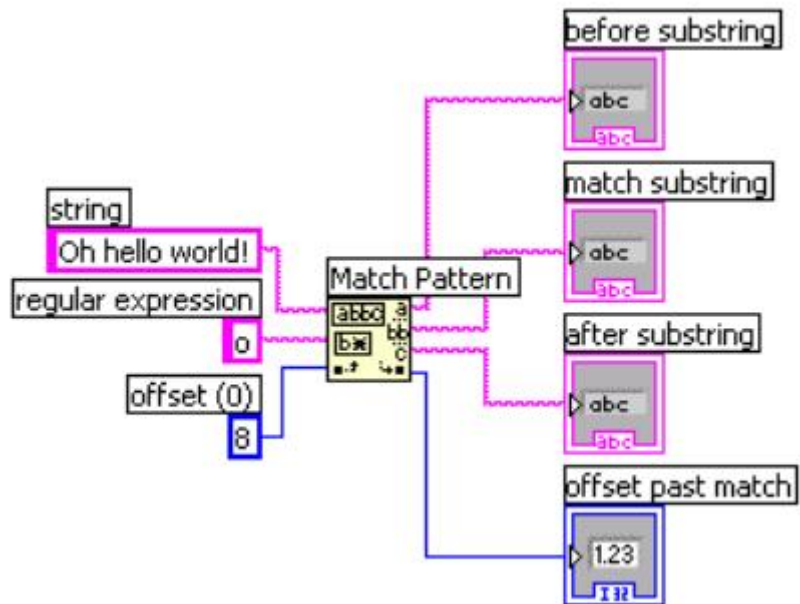
For More Free Questions and Preparation Resources

[Check the Links on Last Page](#)

Question 1

Question Type: MultipleChoice

What is the value in after substring upon completion of the following code?



Options:

A- world!

B- rld!

C- h hello world!

D- <blank>

Answer:

B

Question 2

Question Type: MultipleChoice

Which of the following terminals controls how many times a For Loop will execute?

Options:

A- Option A



B- Option B



C- Option C



D- Option D



Answer:

D

Question 3

Question Type: MultipleChoice

Which of the following methods will create an XY Graph with two plots?

Options:

- A- Create a single cluster from two arrays of X values and two arrays of Y values in an X, Y,
- B- X, Y pattern.
- C- Bundle the X and Y array pairs together into two clusters and then create an array of these two clusters.
- D- Bundle the X and Y array pairs together into two clusters and create a cluster of these two clusters.
- E- Create a single array of each of the X arrays and Y arrays in an X, Y, X, Y pattern.

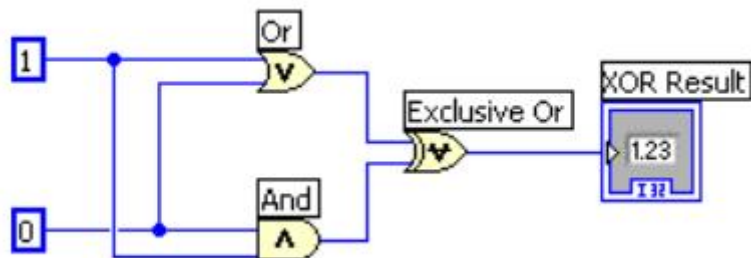
Answer:

B

Question 4

Question Type: MultipleChoice

What is the value in XOR Result after the following code has executed?



Options:

A- 0

B- 1

C- True

D- False

Answer:

B

Question 5

Question Type: MultipleChoice

Which of the following is NOT a component of an Error Cluster?

Options:

- A- Status.
- B- Code.
- C- Source.
- D- VI name

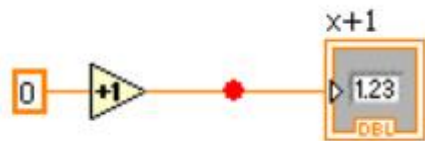
Answer:

D

Question 6

Question Type: MultipleChoice

The following breakpoint does which of the following:



Options:

- A- Causes the VI to abort
- B- Causes the VI to pause
- C- Causes the VI to single step over the addition
- D- Causes the VI to single step over the indicator

Answer:

B

Question 7

Question Type: MultipleChoice

The Error list shows all of the following but:

Options:

- A- Items with errors
- B- Errors and warnings
- C- Details about the warnings

D- Error Codes

Answer:

D

Question 8

Question Type: MultipleChoice

You can use all of the following data types as inputs to the case selector terminal except:

Options:

A- Doubles

B- Enumerated type values

C- Strings

D- Integers

Answer:

A

To Get Premium Files for CLAD Visit

<https://www.p2pexams.com/products/clad>

For More Free Questions Visit

<https://www.p2pexams.com/ni/pdf/clad>

