



**Free Questions for 4A0-103 by certscare**

**Shared by Porter on 06-06-2022**

**For More Free Questions and Preparation Resources**

**Check the Links on Last Page**

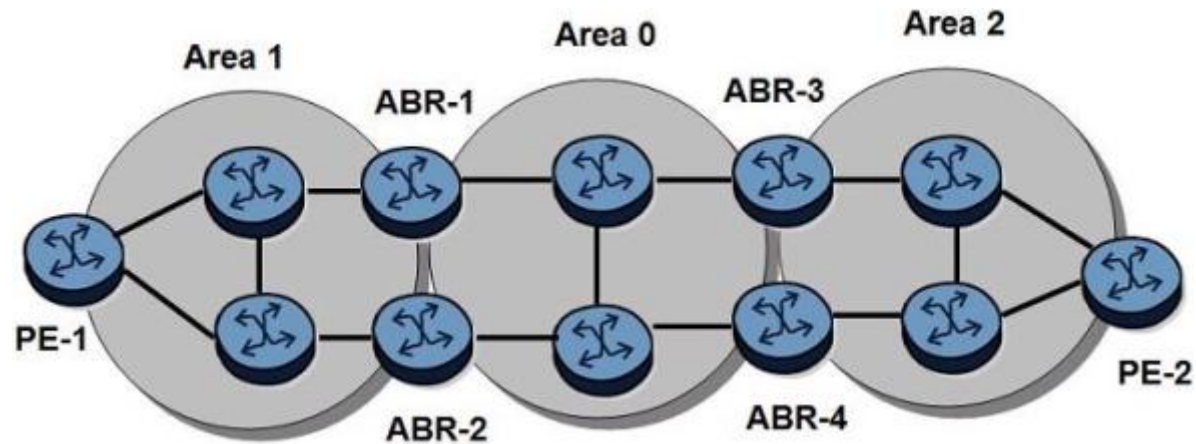
# Question 1

---

Question Type: MultipleChoice

---

Click on the exhibit.



An LDP-over-RSVP tunnel is established between PE-1 and PE-2. Which of the following is NOT required to protect the LDP-over-RSVP tunnel?

## Options:

---

- A- PE-1 requires T-LDP sessions to both ABR-1 and ABR-2.
- B- PE-1 requires a full mesh of RSVP-TE LSPs to all routers in area 1.

**C-** ABR-1 requires T-LDP sessions to all ABRs in area 0.

**D-** PE-1 requires fast reroute enabled on all RSVP-TE LSPs.

**Answer:**

---

B

## Question 2

---

**Question Type:** MultipleChoice

---

Which MPLS label mode saves label mappings received from all peer LSRs?

**Options:**

---

**A-** Conservative label retention

**B-** Liberal label retention

**C-** Downstream on demand

**D-** Downstream unsolicited

**Answer:**

---

B

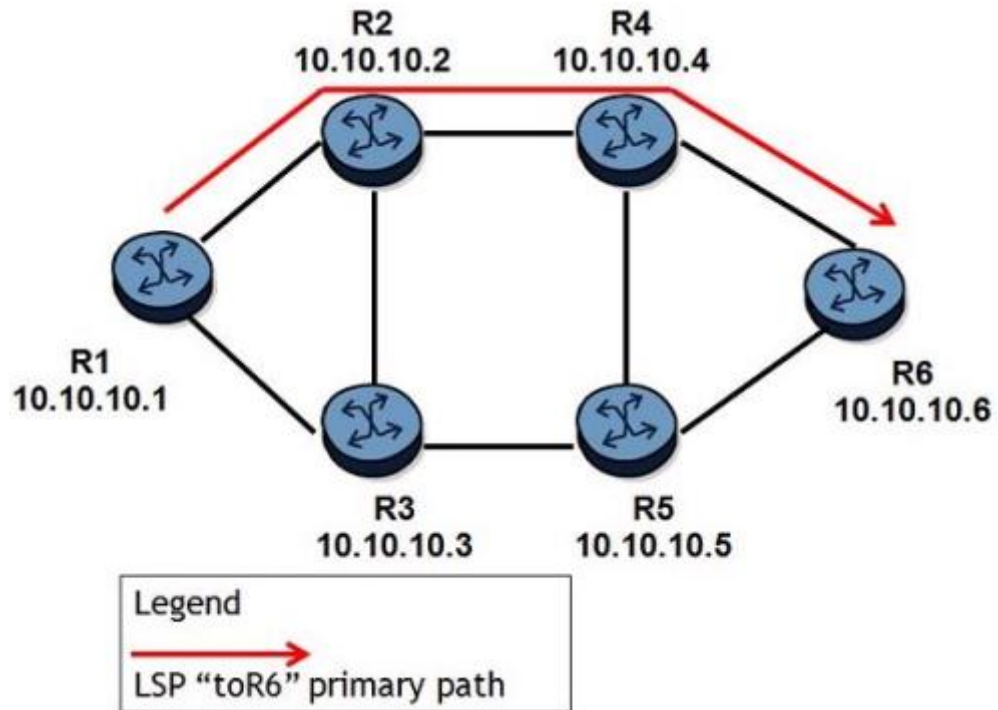
## **Question 3**

---

**Question Type: MultipleChoice**

---

Click on the exhibit.



The LSP "toR6" is configured with a fully strict path on an Alcatel-Lucent 7750 SR. Which of the following configurations is required to enable fast reroute for this LSP?

### Options:

- A- Enable fast-reroute on all routers along the path. R1, R2, R4, and R6.
- B- Enable both link-protection and node-protection on router R1.

- C- Enable fast-reroute with either one-to-one or facility mode on this LSP
- D- Enable link-protection only on router R4.

**Answer:**

---

C

## Question 4

---

**Question Type: MultipleChoice**

---

An IS-IS TE enabled router has an interface on a 500Mbps link and it is configured with a 25% subscription. If this interface is not used by any LSPs. what value will be shown in the Reservable Bandwidth sub-TLV?

**Options:**

---

- A- 125 Mbps
- B- 500 Mbps
- C- 625 Mbps
- D- 2000 Mbps

**Answer:**

---

A

## Question 5

---

**Question Type: MultipleChoice**

---

Which of the following regarding the location of an MPLS label is FALSE?

**Options:**

---

- A-** The MPLS label value may be carried in an ATM header.
- B-** The MPLS label value may be carried in a shim header.
- C-** The MPLS label value may be carried in an OSPF header.
- D-** The MPLS label value may be carried in a Frame Relay header.

**Answer:**

---

C

## Question 6

---

Question Type: MultipleChoice

---

Click on the exhibit.

```
Actual Hops :
  10.1.3.1(10.10.10.1) @ n          Record Label   : N/A
-> 10.1.3.3(10.10.10.3) @ n          Record Label   : 131069
-> 10.3.4.4(10.10.10.4) @           Record Label   : 131069
-> 10.2.4.2(10.10.10.2)             Record Label   : 131067
-> 10.2.6.6(10.10.10.6)             Record Label   : 131071
ComputedHops:
  10.1.3.1(S)      -> 10.1.3.3(S)      -> 10.3.4.4(S)
-> 10.2.4.2(S)      -> 10.2.6.6(S)
```

The partial command output from an Alcatel-Lucent 7750 SR is shown. Which of the following about this LSP path is TRUE?

### Options:

---

- A- R4 (10.10.10.4) has established a link protection tunnel.
- B- R6 (10.10.10.6) has established a link protection tunnel.
- C- R2 (10.10.10.2) has established a node protection tunnel.
- D- R1 (10.10.10.1) has not established a node protection tunnel.



**Answer:**

---

A

## Question 7

---

**Question Type:** MultipleChoice

---

If an LSP needs to use an admin group, which of the following configurations is NOT required on the Alcatel-Lucent 7750 SR?

**Options:**

---

- A-** Assign an admin group to a MPLS interface.
- B-** Configure CSPF on the LSP
- C-** Configure at least one strict hop on the LSP path.
- D-** Configure an 'include' or 'exclude' statement on the LSP path.

**Answer:**

---

C

## Question 8

---

**Question Type:** MultipleChoice

---

Which of the following about RSVP-TE summary refresh messages is TRUE?

### Options:

---

- A- They list the RSVP session names that the router is refreshing,
- B- They list the Message IDs that the router is refreshing,
- C- They list the Tunnel IDs that the router is refreshing.
- D- They list the LSP I Ds that the router is refreshing.

### Answer:

---

B

## Question 9

---

**Question Type:** MultipleChoice

---

Which LSA type is used for OSPF-TE?

**Options:**

---

- A- Type 8 LSA --- Link Local LSA
- B- Type 9 LSA --- Link local Opaque LSA
- C- Type 10 LSA --- Area local Opaque LSA
- D- Type 11 LSA ---AS Opaque LSA

**Answer:**

---

C

**To Get Premium Files for 4A0-103 Visit**

**<https://www.p2pexams.com/products/4a0-103>**

**For More Free Questions Visit**

**<https://www.p2pexams.com/nokia/pdf/4a0-103>**

