



Free Questions for 4A0-105

Shared by Clarke on 22-07-2024

For More Free Questions and Preparation Resources

[Check the Links on Last Page](#)



## Question 1

---

Question Type: MultipleChoice

---

How does PBB forward broadcast, unknown-unicast and multicast traffic from a B-VPLS to an I-VPLS?

Options:

- A- The receiving PE checks the I-TAG in the I-SID to determine if there is a local I-VPLS on the node.
- B- The receiving PE checks the I-SID in the I-TAG to determine if there is a local I-VPLS on the node.
- C- The receiving PE checks the service label in the mpls header to determine if there is a local I-VPLS on the node.
- D- The receiving PE checks the multicast B-DA to see if an I-SID has been mapped to the B-DA that matches a local I-VPLS on the node.

Answer:

---

D

## Question 2

---

Question Type: MultipleChoice

---

Which element of IEEE 802.1ag is responsible for initiating CFM messages?

Options:

- A- MEP
- B- MAP
- C- MIP
- D- MUP

Answer:

---

A

## Question 3

Question Type: MultipleChoice

What is the MTU impact on the SDP path-mtu if fast reroute facilities-mode is implemented on the LSP?

Options:

- A- There will be no impact on the path-mtu.
- B- The path-mtu will decrease by 4 bytes.
- C- The path-mtu will increase by 4 bytes.
- D- The path-mtu will decrease by 8 bytes.
- E- The path-mtu will increase by 8 bytes.

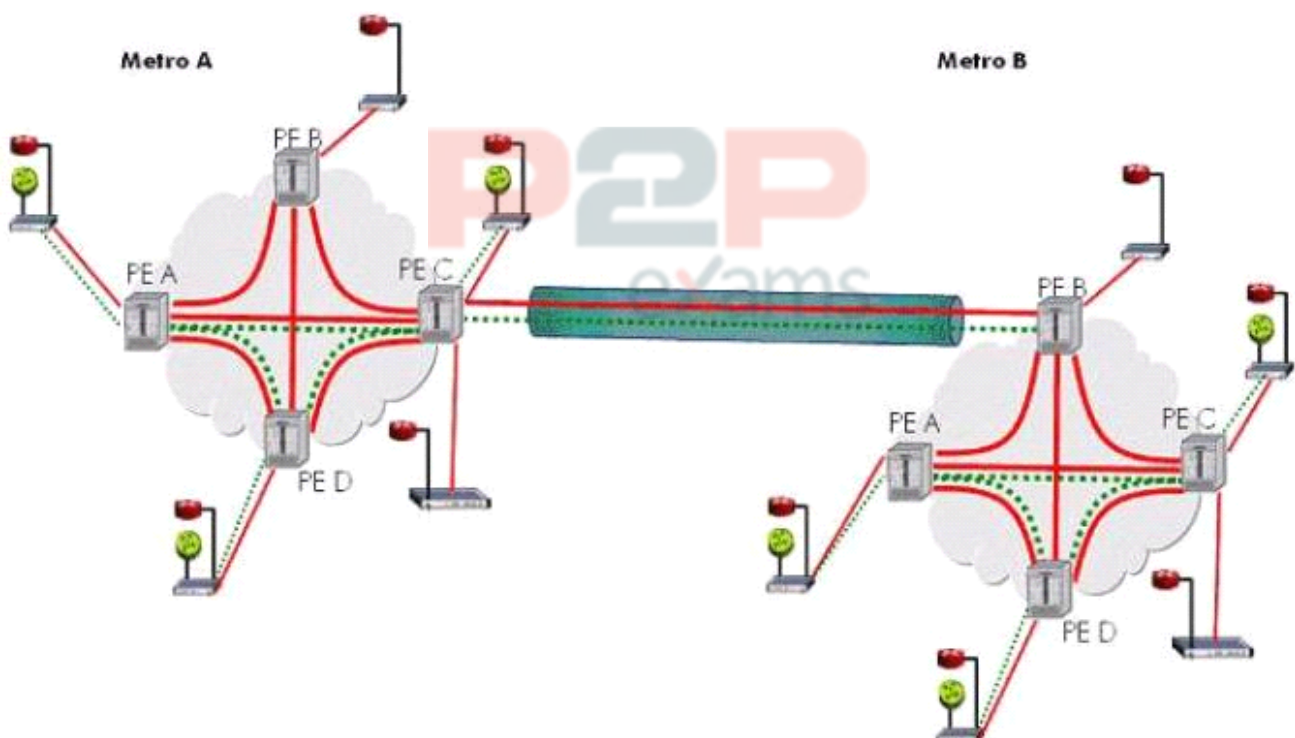
Answer:

B

## Question 4

Question Type: MultipleChoice

Click on the exhibit below.



If the device connected to PE-A in Metro A sends a frame to PE-A that requires replication within the VPLS which devices is PE-A responsible for replicating the frame to?

Options:

- A- PE-A must replicate the frame to all devices participating in the VPLS
- B- PE-A must replicate the frame to all PEs within Metro A
- C- PE-A must replicate the frame to all devices in the Metro A
- D- All of the above

Answer:

B

## Question 5

Question Type: MultipleChoice

Click on the exhibit below.

```
A:PE-Z>config>service# show service id 9000 base
=====
Service Basic Information
=====
Service Id       : 9000                Vpn Id          : 0
Service Type    : VPLS
Customer Id     : 100
Last Status Change: 02/12/2007 13:17:11
Last Mgmt Change  : 02/12/2007 13:17:11
Admin State     : Up                  Oper State      : Up
MTU             : 1514                Def. Mesh VC Id : 1000
SAP Count       : 0                  SDP Bind Count  : 1
Send Flush on Fail: Disabled

-----
Service Access & Destination Points
-----
Identifier                Type      AdmMTU  OprMTU  Adm   Opr
-----
=====
```

Based on the following output what will the vc-id be of any mesh-sdp bound to this service?

Options:

- A- 9000
- B- 1514
- C- 1000

D- 100

Answer:

---

C

## Question 6

---

Question Type: MultipleChoice

---

In RSTP, how is the root bridge selected?



Options:

---

- A- The switch with the highest bridge-id is selected as root.
- B- The switch with the lowest bridge-id is selected as root.
- C- The switch with the highest MAC address is selected as root.
- D- The switch with the lowest MAC address is selected as root.

Answer:

---

B

## Question 7

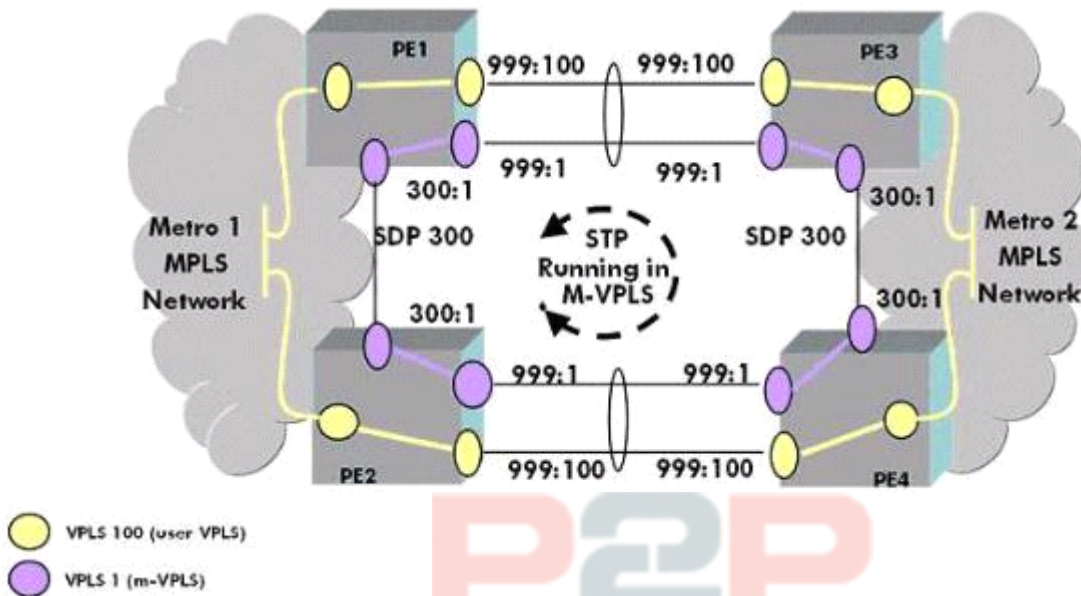
---

Question Type: MultipleChoice

---

Click on the exhibit below.





You have been requested to add load balancing across the redundant spoke-SDPs in the network shown. What further configuration is required? (Choose 2)

Options:

- A- An additional management VPLS.
- B- Another set of LSPs between PE1 and PE3 and between PE2 and PE4.
- C- Another set of SDPs between PE1 and PE3 and between PE2 and PE4.
- D- Load balancing has to be enabled within the management VPLS.

Answer:

A, C

## Question 8

Question Type: MultipleChoice

The FDB has learned 2 MAC addresses. The first is from a device accessible via a locality defined SAP, the second is from a device accessible via an SDP. Both MAC addresses were learned at the exact same time. If all traffic from these hosts stops at the same time, which address will age out first from the FDB based on default settings?

Options:

- A- MAC learned via SAP
- B- MAC learned via SDP

- C- There is not enough information to determine
- D- Both will timeout at the same time

Answer:

---

A

## Question 9

---

Question Type: MultipleChoice

---

A LAG is configured with LACP passive mode enabled. When will LACP packets be sent?

Options:

---

- A- On initialization and then every hello-interval.
- B- Only after receiving LACP packets.
- C- Every 1 second.
- D- Never.

Answer:

---

B

## Question 10

---

Question Type: MultipleChoice

---

You are providing a customer two VPLS services in two different Metro networks. VPLS 500 has been configured in Metro 1 and VPLS 900 has been configured in Metro 2. The customer has requested that they have connectivity between the Metro Networks with their existing VPLS services. Which configuration on the PE routers linking the metro networks will allow for VPLS 500 and VPLS 900 to act as a single VPLS service? Assume default values for all VPLS parameters and SDP 999 exists between the metro networks.

- A. Metro 1>service# vpls 500  
Metro 1>service>vpls# spoke-sdp 999:500  
Metro 2>service#vpls 900  
Metro 2>service>vpls>spoke-sdp 999:500
- B. Metro 1>service# vpls 500  
Metro 1>service>vpls# mesh-sdp 999:500  
Metro 2>service#vpls 900  
Metro 2>service>vpls>mesh-sdp 999:500
- C. Metro 1>service# vpls 500  
Metro 1>service>vpls# spoke-sdp 999:500  
Metro 2>service#vpls 900  
Metro 2>service>vpls>spoke-sdp 999:900
- D. It is not possible to have 2 VPLS services with different service ids to act as a single service when default settings are used.

Options:

---

- A- Option A
- B- Option B
- C- Option C
- D- Option D

Answer:

---

A





To Get Premium Files for 4A0-105 Visit

<https://www.p2pexams.com/products/4a0-105>

For More Free Questions Visit

<https://www.p2pexams.com/nokia/pdf/4a0-105>

**20%**  
**DISCOUNT**

**P2P**  
exams