



Nokia 4A0-105 Mock Exam

Shared by Daugherty on 17-06-2026

For More Free Questions and Preparation Resources

Check the Links on Last Page



Question 1

Question Type: MultipleChoice

Port 1/1/1 has been configured as an access port with QinQ encapsulation. Which of the following three statements are true for ingress traffic assuming default configuration? (Choose 3)

Options:

- A- sap 1/1/1:*0 is a valid sap id.
- B- sap 1/1/1:100* will accept frames with a single tag of 100.
- C- sap 1/1/1:200* will strip the top tag of 200 and the bottom tag will be transparently passed.
- D- sap 1/1/1:0* will accept all untagged frames.
- E- sap 1/1/1:0* will accept any tagged frames.

Answer:

B, C, D

Question 2

Question Type: MultipleChoice

What are the benefits of a hierarchical VPLS architecture? (Choose 3)

Options:

- A- Increases scalability
- B- Reduces the FDB size within a VPLS instance
- C- Reduces replication and bandwidth utilization from the MDU device to the core network
- D- Easier to manage
- E- Reduces the routing table size

Answer:

A, C, D

Question 3

Question Type: MultipleChoice

Which function of the IEEE 802.1 ag is used for responding to CFM messages but not originating them?

Options:

- A- MEP
- B- MAP
- C- MIP
- D- MUP

Answer:

C



Question 4

Question Type: MultipleChoice

An I-VPLS can be associated with many B-VPLS services.

Options:

- A- TRUE
- B- FALSE

Answer:

B



Question 5

Question Type: MultipleChoice

During the process of troubleshooting a VPLS problem the "oam mac-purge" command with "register" option was used to purge a MAC address from the FDB. Which of the following statements is true?

Options:

- A- Relearning of the MAC address that was purged can only be done once customer traffic resumes.
- B- Relearning of the MAC address that was purged can only be done with the 'oam mac-populate' command.
- C- Customer traffic destined to the MAC address that was purged will be dropped until the MAC address is relearned with the 'oam mac-populate' command.
- D- Relearning of the MAC address that was purged can only be done with the 'oam mac-register' command.

Answer:

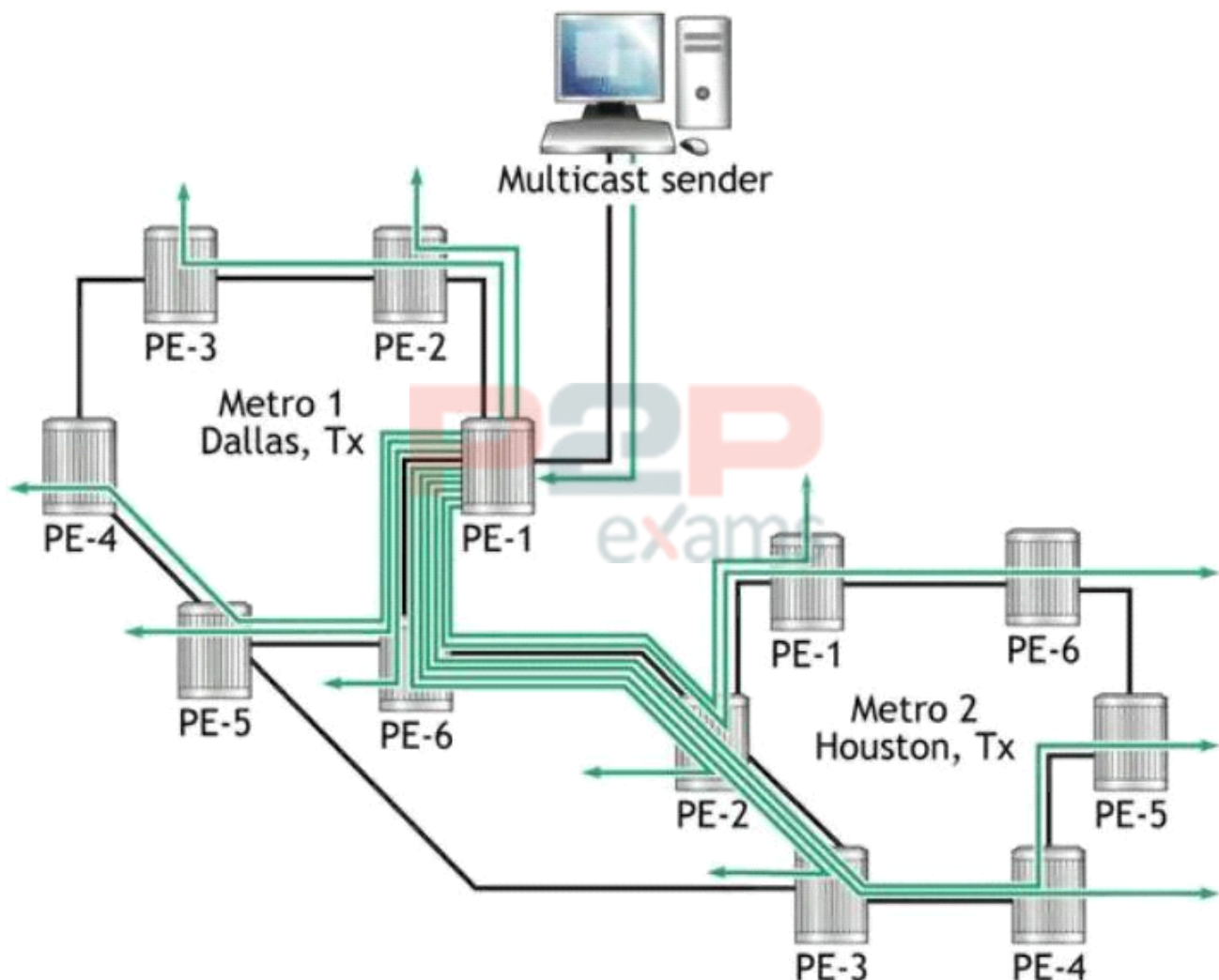
B



Question 6

Question Type: MultipleChoice

Click on the exhibit below.



Assume PE-1 has a mesh-sdp configured to every PE node in both Metro networks. What could be done to prevent the bandwidth replication between Metro 1 and Metro 2?

Options:

- A- PE-1 must be configured with mesh-SDPs to every node receiving the multicast traffic. There is no way to reduce the replication or bandwidth.
- B- PE nodes in Metro 1 could be configured with mesh-SDPs. PE nodes in Metro 2 would be configured with mesh-SDPs. However, the connection between Metro networks (PE-2 to PE-6) can be configured with a spoke-sdp. This would reduce the replication and bandwidth used on the link between Metro networks. This also reduces the replication required by PE-1.
- C- PE-1 can be configured with spoke-SDPs to every PE node in both Metro networks. This will reduce the bandwidth and replication within the network.
- D- PE nodes in Metro 1 could be configured with spoke-SDPs. PE nodes in Metro 2 would be configured with spoke-SDPs. However, the connection between Metro networks (PE-2 to PE-6) can be configured with a mesh-sdp. This would reduce the replication and bandwidth used on the link between Metro networks. This also reduces the replication required by PE-1.

Answer:

B

Question 7

Question Type: MultipleChoice

What action will be taken when an Ethernet switch receives a frame with a known DA and an outer Ethertype value of 0x0800 on a dot1q encapsulated port?

Options:

- A- The frame will be forwarded out the port associated with the DA.
- B- The frame will be discarded.
- C- The frame will be flooded to all ports.
- D- The frame will be fragmented and forwarded out the port associated with the DA.

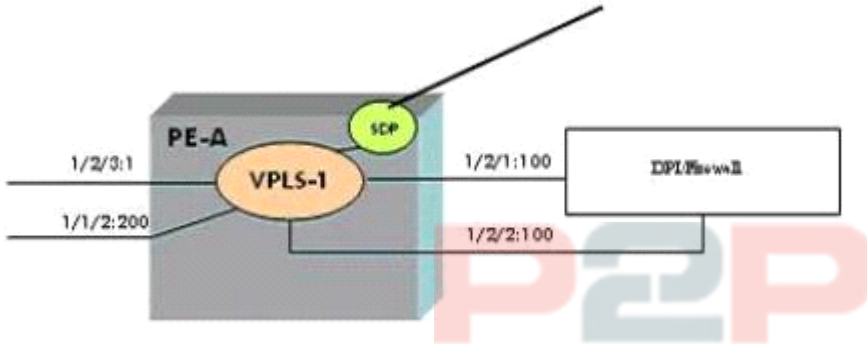
Answer:

B

Question 8

Question Type: MultipleChoice

Click on the exhibit below.



Which of the following features can be enabled to eliminate MAC instability when using policy-based forwarding to redirect traffic to a Layer 2 DPI device?

Options:

- A- discard-unknown
- B- mac-move
- C- disable-learning
- D- enable-mac-stability

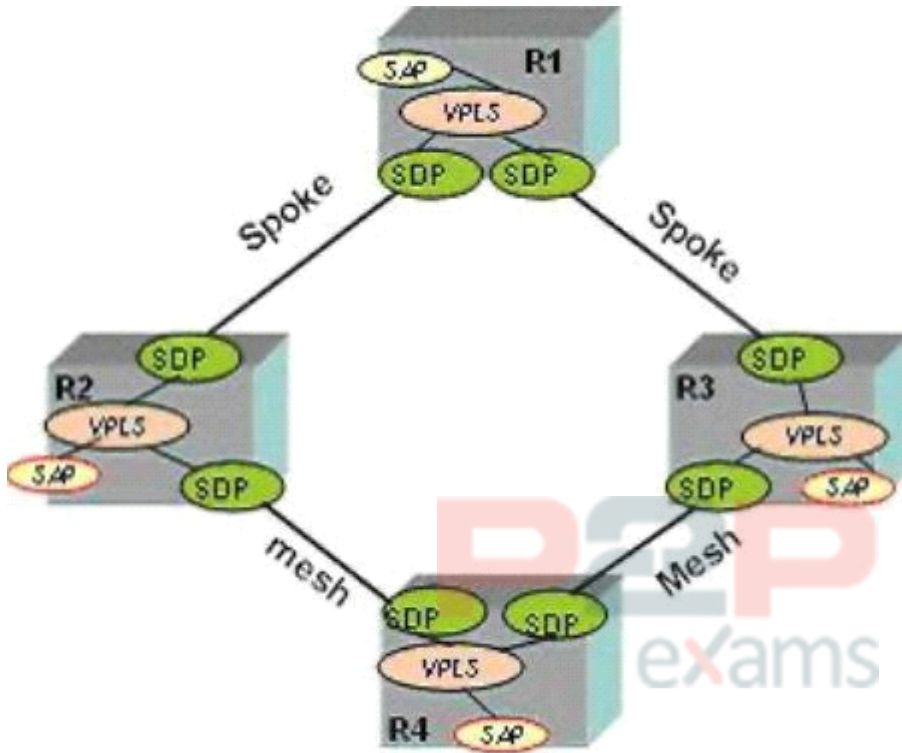
Answer:

C

Question 9

Question Type: MultipleChoice

Click on the exhibit below.



The VPLS service MTU on R2 is 1514 bytes. What must the service MTU be on all other routers participating in the VPLS?

Options:

- A- The service MTU must be equal to or smaller than 1514 bytes.
- B- The service MTU must be 1514 bytes.
- C- The service MTU must be equal to or greater than 1514 bytes.
- D- The service MTU can be any value.

Answer:

B

To Get Premium Files for 4A0-105 Visit

<https://www.p2pexams.com/products/4a0-105>

For More Free Questions Visit

<https://www.p2pexams.com/nokia/pdf/4a0-105>

20%
DISCOUNT

P2P
exams