



**Free Questions for 4A0-N01 by vceexamstest**

**Shared by Dennis on 12-12-2023**

**For More Free Questions and Preparation Resources**

**Check the Links on Last Page**

## Question 1

---

**Question Type:** MultipleChoice

---

What statement about stateful ACL entries is FALSE?

### Options:

---

- A- They can track both TCP and UDP flows.
- B- They can be created in either ingress or egress directions.
- C- A packet in the direction of the stateful ACL rules will automatically create a "related" rule in the reverse direction.
- D- The automatically created rules will not go away until the ACL is manually deactivated and reactivated.

### Answer:

---

D

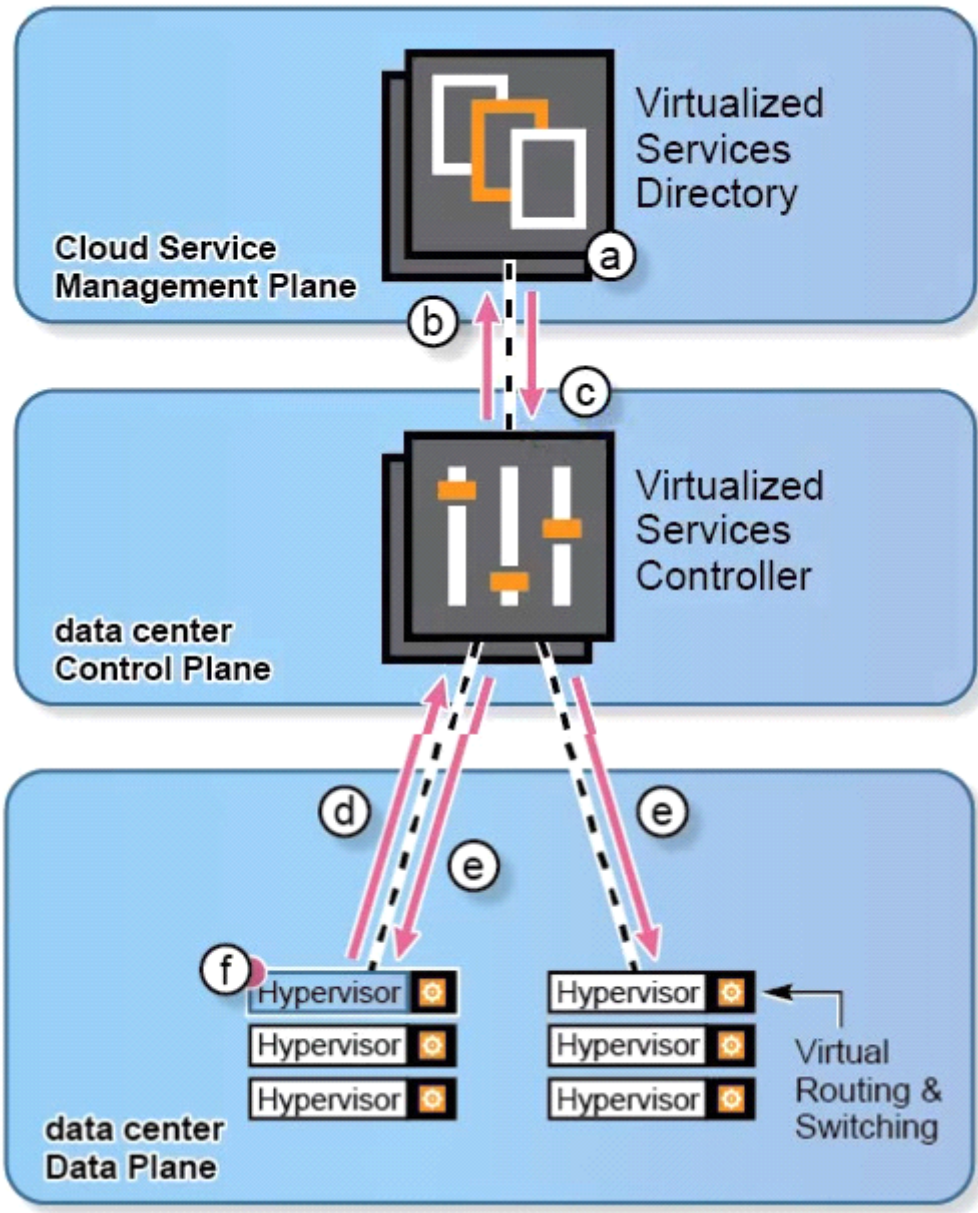
## Question 2

---

**Question Type:** MultipleChoice

---

Refer to the diagram.



Which statement is describing a step incorrectly?

**Options:**

---

- A-** Step a, which consists of defining network domain and policy templates on VSD, must be performed first in all situations.
- B-** Step d, which refers to the VRS agent informing the VSC of the placement of a new VM, is triggered by step f in which the VM is instantiated on a hypervisor.
- C-** Step b, in which the VSC queries VSD on network service and policies required for a new VM, is triggered either by API calls from the CMS or by manual configuration.
- D-** Step e, in which the forwarding tables are deployed, consists of the VSC sending them not only to the VRS agent hosting the new VM, but to all applicable VRS agents.

**Answer:**

---

D

## Question 3

---

**Question Type:** MultipleChoice

---

What is NOT a service model in cloud computing? (Choose three.)

**Options:**

---

- A- Software as a Service (SaaS)
- B- Cloud as a Service (CaaS)
- C- Infrastructure as a Service (IaaS)
- D- Platform as a Service (PaaS)

**Answer:**

---

A, C, D

**Explanation:**

---

<https://www.openintl.com/the-three-service-models-of-cloud-computing/>

## Question 4

---

**Question Type:** MultipleChoice

---

Which of the following interfaces is not supported on VSC?

**Options:**

---

- A- API interface
- B- BGP interface
- C- Openflow interface
- D- XMPP interface

**Answer:**

---

A

**Explanation:**

---

[https://www.nuagenetworks.net/wp-content/uploads/2020/06/Nuage\\_Networks\\_Service\\_Chaining\\_Technical\\_Description\\_Document\\_EN-compressed.pdf](https://www.nuagenetworks.net/wp-content/uploads/2020/06/Nuage_Networks_Service_Chaining_Technical_Description_Document_EN-compressed.pdf)

## Question 5

---

**Question Type: MultipleChoice**

---

What statement about the Nuage Networks VCS solution is FALSE?

**Options:**

---

- A-** It virtualizes and automates the datacenter network infrastructure.
- B-** It leverages a variety of open source components such as Openflow and Libvirt.
- C-** The SDN controller of Nuage Networks VCS, is based on the Nokia 7750 SR OS, which is a proven and highly reliable software component.
- D-** It requires a specific architecture for its networking hardware infrastructure.

**Answer:**

---

C

## Question 6

---

**Question Type: MultipleChoice**

---

Which statement is TRUE when comparing Virtual Machines and Containers?



**Options:**

---

- A- Virtual Machines are faster to boot.
- B- Contained do not need a CMS.
- C- All Virtual Machines on the same hypervisor must run the same guest OS.
- D- All Containers on the same host use the same OS kernel.

**Answer:**

---

D

## Question 7

---

**Question Type: MultipleChoice**

---

Which of the following interfaces does NOT belong to the underlay network?

**Options:**

---

- A- Interface on VSD
- B- "Control" interface on VSC
- C- Openflow interface on VSC
- D- Hypervisor interfaces carrying VXLAN traffic.

**Answer:**

---

B

## Question 8

---

**Question Type:** MultipleChoice

---

What is NOT a component of VSD?

**Options:**

---

- A- Neutron
- B- Statistics Engine

**C-** Policy Management Engine

**D-** RESTful API

**Answer:**

---

C

**Explanation:**

---

[https://www.nuagenetworks.net/wp-content/uploads/2020/06/PR1507013354EN\\_NN\\_RedH\\_Open\\_Hybrid\\_Clouds\\_PartnersolutionBrief.pdf](https://www.nuagenetworks.net/wp-content/uploads/2020/06/PR1507013354EN_NN_RedH_Open_Hybrid_Clouds_PartnersolutionBrief.pdf)

## Question 9

---

**Question Type:** MultipleChoice

---

What statement is FALSE regarding the forwarding policies used in VCS for traffic redirection (also known as service chaining)?

**Options:**

---

- A-** Forwarding policies can be applied to either ingress or egress traffic.
- B-** Redirection targets should be created in advance and associated with vPorts.
- C-** Redirection targets cannot be associated with host vPorts (physical appliances).
- D-** A forwarding policy can be created in an active domain or be instantiated from a template.

**Answer:**

---

D

**Explanation:**

---

[https://www.nuage networks.net/wp-content/uploads/2020/06/Nuage\\_Networks\\_Service\\_Chaining\\_Technical\\_Description\\_Document\\_EN-compressed.pdf](https://www.nuage networks.net/wp-content/uploads/2020/06/Nuage_Networks_Service_Chaining_Technical_Description_Document_EN-compressed.pdf)

## Question 10

---

**Question Type:** MultipleChoice

---

What statement about traditional datacenter network architecture is TRUE?

**Options:**

---

- A- It adopts a 3-tier hierarchical topology.
- B- Layer 3 termination is at the access layer.
- C- The top-of-rack switch runs MPLS VPLS services.
- D- It meets the requirements triggered by cloud computing and virtualization.

**Answer:**

---

B

## Question 11

---

**Question Type: MultipleChoice**

---

For a packet transmitted using VXLAN encapsulation, where is the VXLAN header within the packet?

**Options:**

---

- A- It is part of the Layer 2 Ethernet header, just like VLAN.

- B-** It is added between the Layer 2 header and the Layer 3 IP header.
- C-** It is added between the Layer 3 IP header and the TCP/UDP transport layer header.
- D-** It is added between the UDP header and the payload.

**Answer:**

---

C

**Explanation:**

---

<https://openct.net/wp-content/uploads/OpenCT-BaaT-Technical-Documentation-2020.pdf>

## Question 12

---

**Question Type:** MultipleChoice

---

Which two elements of the Nuage Networks VCS Solution act respectively as the control and data plane of a virtual router?

**Options:**

---

**A-** VSD and VSC

**B-** VSC and VSG

**C-** VSC and VRS

**D-** VSD and VSG

**Answer:**

---

C

**Explanation:**

---

[https://www.nuagenetworks.net/wp-content/uploads/2020/06/Nuage\\_Networks\\_VSP\\_Data\\_Sheet\\_EN.pdf](https://www.nuagenetworks.net/wp-content/uploads/2020/06/Nuage_Networks_VSP_Data_Sheet_EN.pdf)

**To Get Premium Files for 4A0-N01 Visit**

**<https://www.p2pexams.com/products/4a0-n01>**

**For More Free Questions Visit**

**<https://www.p2pexams.com/nokia/pdf/4a0-n01>**

